

ORMITAL | CHICKEN COOP CABIN

Introducing the new generation of metal chicken coops, starting with the "Cabin" model! We have developed a high-quality chicken coop made from **galvanized and lacquered green steel**, designed to far surpass the low-quality wooden models flooding the market. Our coop is not only sturdy and durable, but it is also designed to make life easier for both chicken keepers and distributors.



CHICKEN COOP CABIN

Box dimensions:

1200x800x100 mm

Weight: 27kg

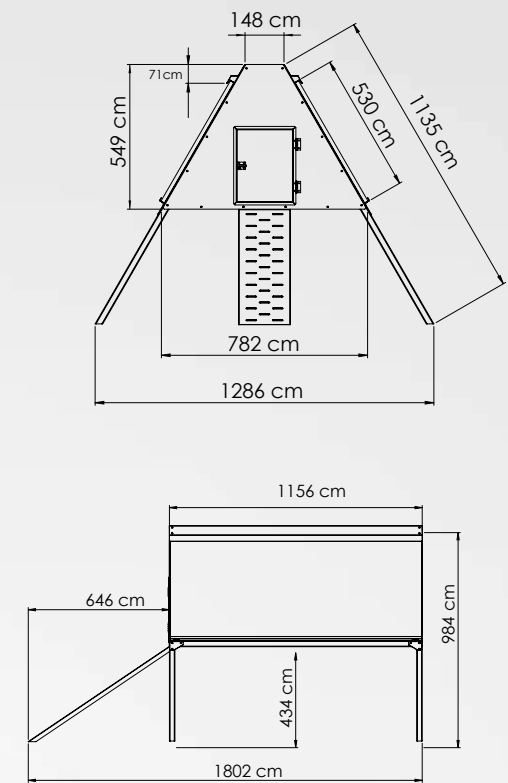
European pallet size:

1200x800x2000 mm

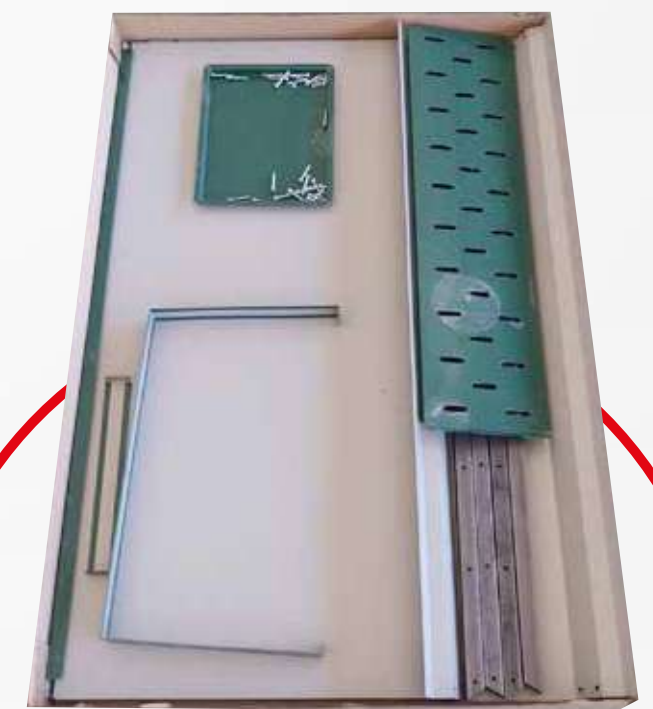
20 units per pallet.



Dimensions



- Made from galvanized and lacquered Z275 steel.
- Removable roof on both sides for easy cleaning.
- Two nesting boxes at the rear.
- 100% waterproof.
- 5-year warranty.
- Suitable for up to 6 chickens.
- Access ramp to the coop.
- Comes in a flatpack box.
- Easy to clean



Comes in a flatpack box

COMPETITIVE ADVANTAGES



Superior Strength and Durability:

Some imported wooden coops tend to deteriorate within two years, leading to numerous customer complaints. In contrast, our coop is made of galvanized steel, offering unmatched strength and backed by a **5-year** warranty to ensure its longevity.

Attractive and Functional Design:

Beyond being extremely durable, our coop is designed with an appealing green lacquered finish that blends seamlessly into any environment, adding value to the end user's property.

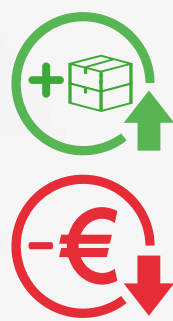


Easy Maintenance and Efficient Cleaning:

The metal surface, along with the removable roof on both sides, makes cleaning a breeze, allowing for quick waste removal and significantly reducing the proliferation of parasites—a common issue in wooden coops.

Replacement Parts Available for All Components:

Unlike other models that present serious challenges when replacing broken parts, our coop is designed to offer replacements for all its components. This ensures even greater longevity and minimizes inconvenience for distributors and customers.



Logistical Optimization:

Our coop is shipped in a flatpack package, optimizing the number of units per pallet and reducing transportation costs. Additionally, its metal construction ensures it arrives intact, without the deformation or breakage issues that often affect wooden coops.

Benefits for Distributors

- Reduction in Complaints:** By offering a superior quality product, distributors can expect a significant reduction in complaints, thereby improving customer satisfaction and enhancing the reputation of their business.
- Better Margins:** A durable and reliable product like ours justifies a premium price, which can translate into better profit margins for distributors.
- Simplified After-Sales Service:** With the ability to replace any part, distributors can ensure their customers receive efficient and hassle-free after-sales service, clearly setting themselves apart from the competition.

Conclusion: This chicken coop is the ideal choice for distributors looking to offer their customers a durable, easy-to-maintain product with an attractive design. Not only is it a significant improvement over low-quality wooden models, but it also offers support and a warranty that ensures long-term customer satisfaction.

Contact us today to learn more about a product that truly makes a difference!

+34 606 71 60 42 info@ormigroup.com