



Ormi Group

THE ART OF MANUFACTURING

SHEEP / GOAT CATALOG

CATALOG BOVINE / BEEF CATALOG



OUR VALUES

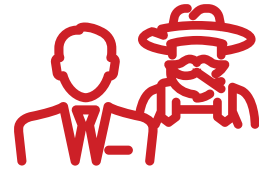
WE DESIGN AND MANUFACTURE PRODUCTS TO IMPROVE YOUR LIFE QUALITY.



SUSTAINABILITY



ANIMAL WELL-BEING



PROFESSIONALISM



3 generations in the livestock sector, having from first-hand the fundamental notions that are needed for the best management of animals always in a suitable environment for them.

INVESTIGATION AND DEVELOPMENT

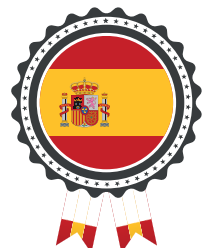
Each of our products encompasses experience and knowledge from our own talented human team that with the help of the highest technology in manufacturing, has allowed us to grow, learn and develop the manufacturing processes of the highest quality. Thanks to this, today we can ensure that our products are capable of exceeding the highest standards of quality in the world.

MANUFACTURING

Our automated production plant has systems of computerized cutting, bending, electro welded, punching machine with automatic recharge, automatic and manual welding robots, plus specialized collaborators who manufacture product components for us that we design. This machinery allows us to manufacture a range of products 24/7 with **ISO 9001 standards** ensuring the quality of our products.



Ormi Group is a **100% Spanish** company, with its own factories throughout the Spanish territory



In our manufacture we use materials like metal and HPL which are very resistant and they prevent lice and mites from inhabiting.



We use Z275 reinforced metal sheets for the manufacture of our products. Being more resistant to corrosion than similar products.

To assemble our products, we use aeronautical steel rivets or reinforced screws, giving professional quality.



We use recyclable materials, in order to not generate products that pollute the environment.

All products are manufactured to preserve user safety, avoiding sharp edges in the areas of usage.



We know the importance of good product packaging. That's why we use high grammage cardboard for the protection of the products. We also have some models where we use digital printed packaging in full color designs.



All products are manufactured to preserve user safety, avoiding sharp edges in the areas of usage.

We have ISO9001 certification to warrantee the quality standard to our customers.





THE ART OF MANUFACTURING



Ormi Group

01. DRINKERS

02. FORAGE RACKS

03. FEEDER

04. CHUTES

05. STANCHION

06. REFLECTORS

07. FARROWING PEN

08. FENCES

01. DRINKERS

SYSTEM PLUS AUTOMATIC DRINKER

Made of grade food plastic, to operate it must be connected to the water main, plastic valve + float to regulate the water flow, equipped with specific tank and drain valve to ensure clean water. It can be fixed to the wall, corrals and similar. Equipped with specific brackets to fix to posts. Ideal solution for sheep, cows, horses and farm animals in general.



SYSTEM PLUS 4L
2146A0000



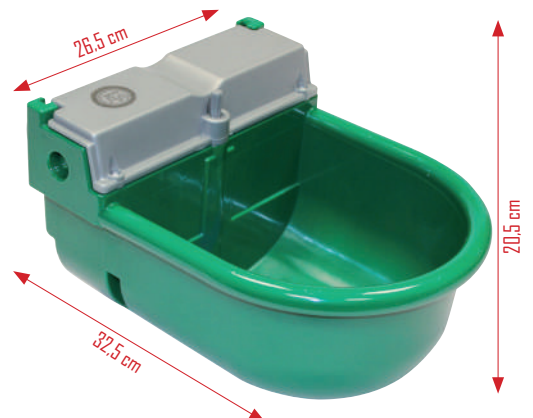
SYSTEM PLUS PREMIUM 4L
2158A0000



SYSTEM PLUS 6L
2147A0000



SYSTEM PLUS PREMIUM 6L
2159A0000



01. DRINKERS

STAINLESS STEEL DRINKER WITH WALL BRACKET

It has a wall bracket with which we can regulate the height.



In case of a leak in the valve, the entire line of drinking troughs has a drain in order to channel the water to the outside, avoiding that the floor can get waterlogged the floor from becoming waterlogged.



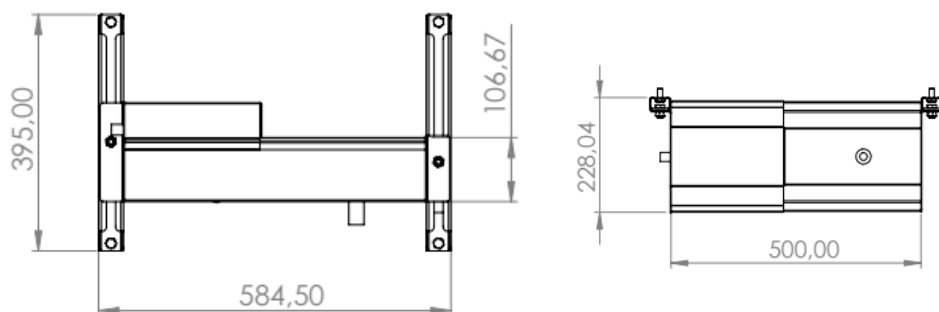
The valve protection cover can be easily removed to gain access to the valve to adjust the height or any piece. The valve fitting is 3/8".



Drinker made of high quality stainless steel.

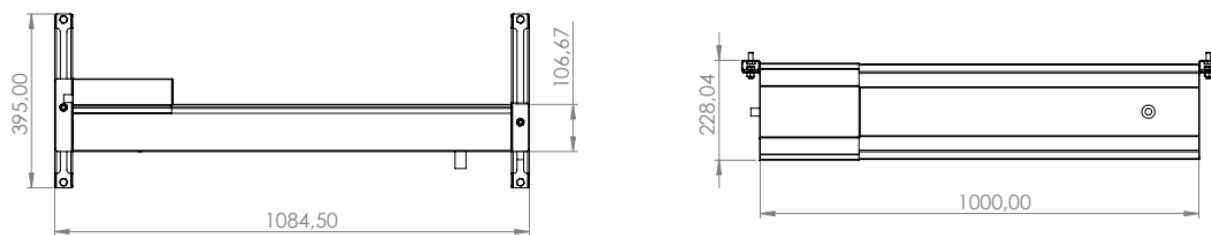


01. DRINKERS



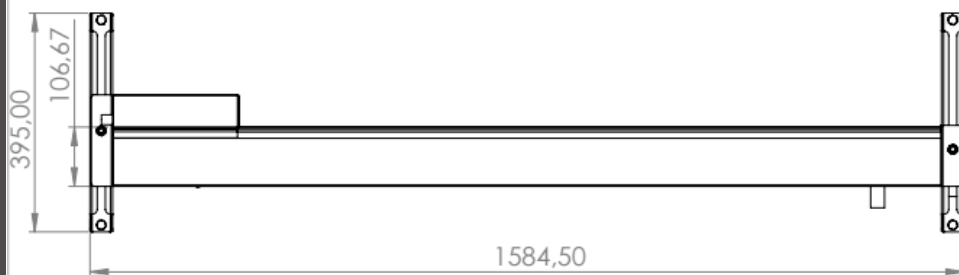
FD100002

395MM / 584,5 MM / 106,67 MM



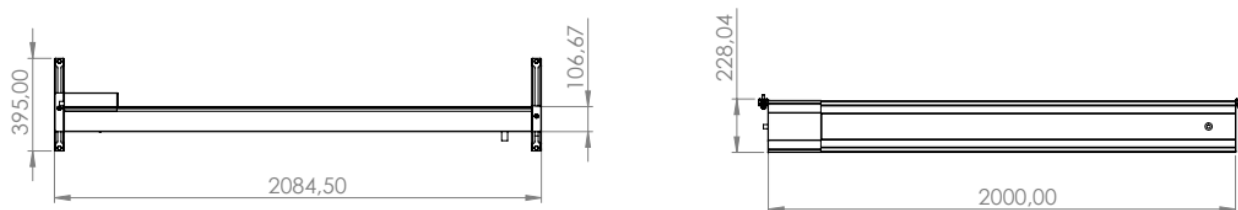
FD100003

395MM / 1084,5 MM / 106,67 MM



FD1000057

395MM / 1584,5 MM / 106,67 MM



FD100004 395MM / 2084,5 MM / 106,67 MM

01. DRINKERS

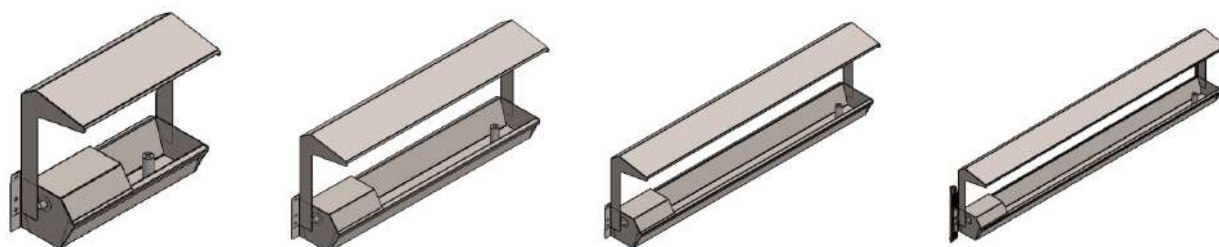


DRINKERS

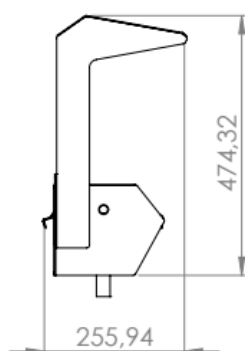
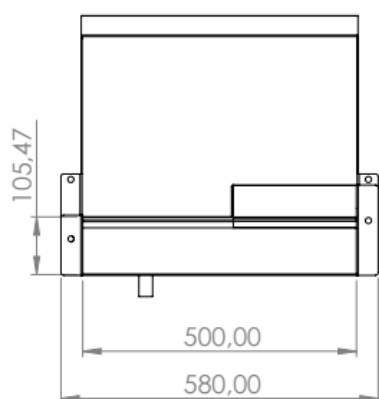
With the same "Stainless steel drinker with wall bracket" characteristics, we add a canopy in all the models in order to keep the drinker clean of dirt, improving the level of sanitation.



WALL BRACKET AND CANOPY

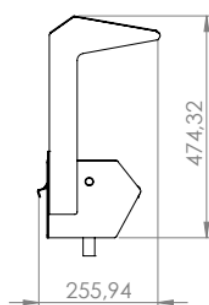
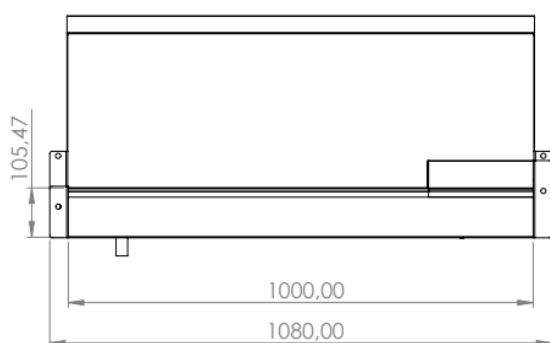


01. DRINKERS



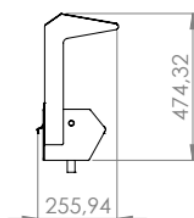
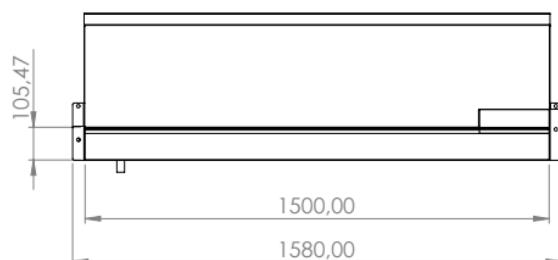
FO100071

580 MM / 105,47 MM / 474,32 MM



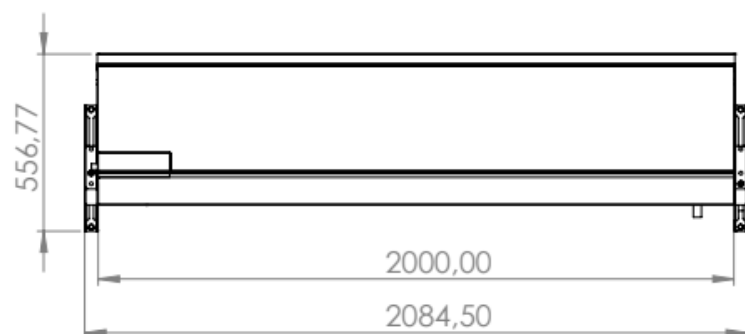
FO100072

1080 MM / 105,47 MM / 474,32 MM



FO100073

1580 MM / 105,47 MM / 474,32 MM



FO100074

2084,5 MM / 105,47 MM / 474,32 MM

01. DRINKERS



STAINLESS STEEL, WITH LEGS



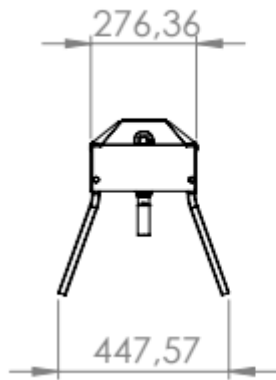
Drainage system to avoid puddles in the farm, in the event of a leak in the valve

Overflow system can be removed to facilitate the drinker cleaning.

3/8 adjustable valve with a easy pull out system in order to help improve the joint cleaning.

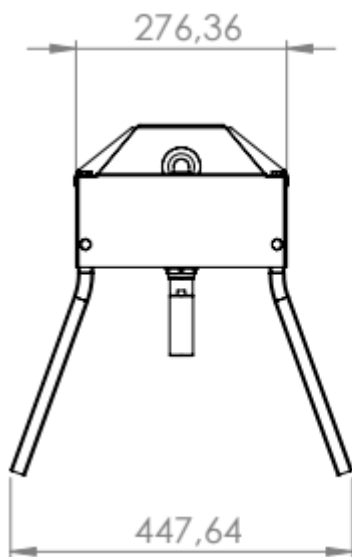
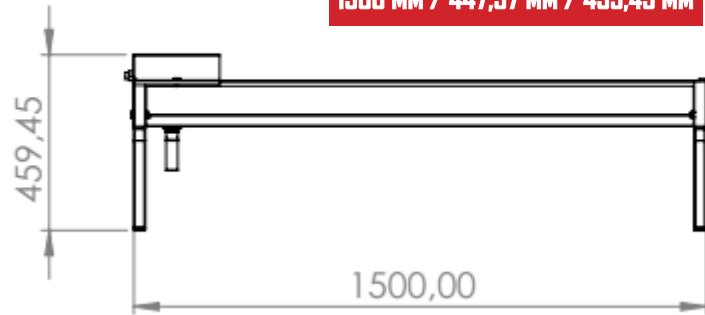


01. DRINKERS



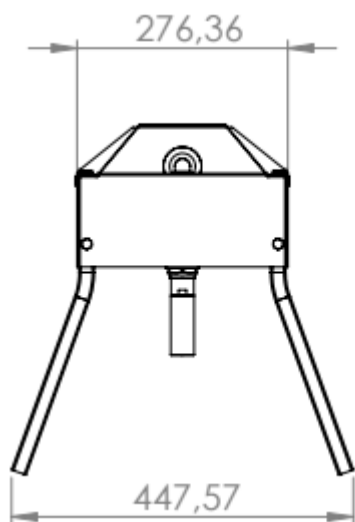
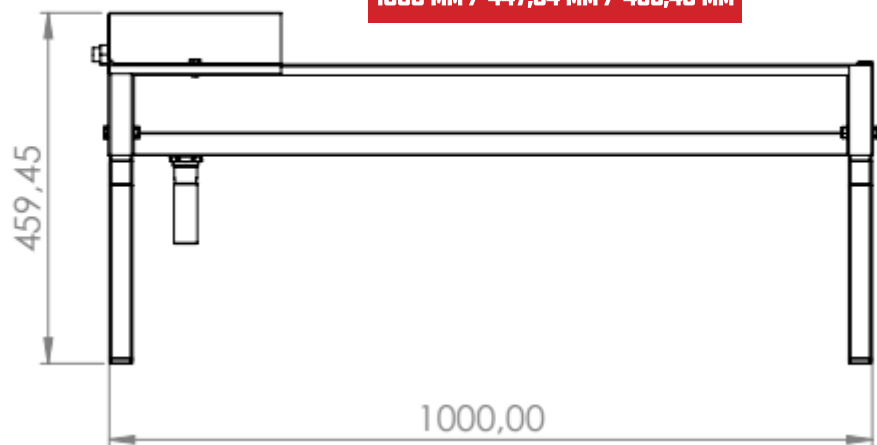
FO100005

1500 MM / 447,57 MM / 459,45 MM



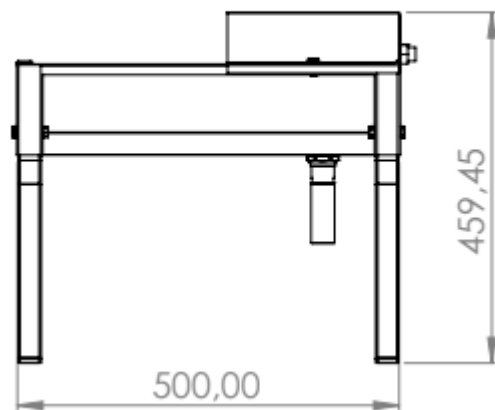
FO100006

1000 MM / 447,64 MM / 459,45 MM



FO100007

500 MM / 447,57 MM / 459,45 MM



01. DRINKERS

LARGE CAPACITY DRINKER

STAINLESS STEEL



Hinged lid for easy regulation and cleaning.

Our valve has a high - flow system to fill the drinker in a fast way when several animals are drinking at the same time.

It includes a plug to make cleaning easier.

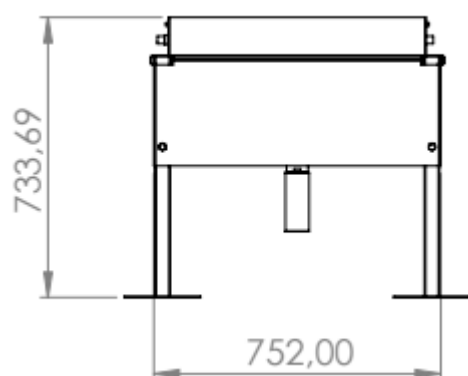


01. DRINKERS

990 MM / 752 MM / 733,69 MM

STAINLESS STEEL DRINKERS

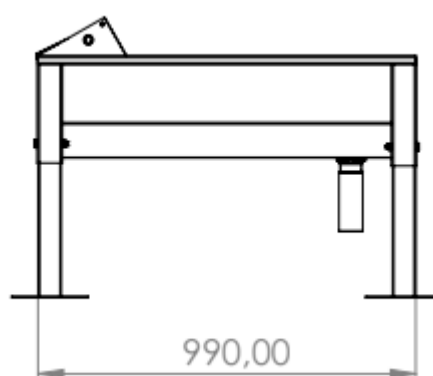
FD100009



990 MM / 752 MM / 733,69 MM

GALVANIZED SHEET METAL DRINKERS

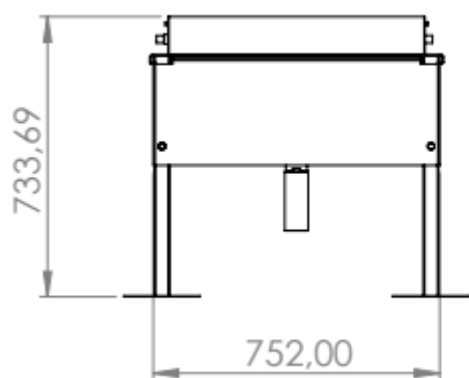
FD100012



1990 MM / 752 MM / 733,69 MM

STAINLESS STEEL DRINKERS

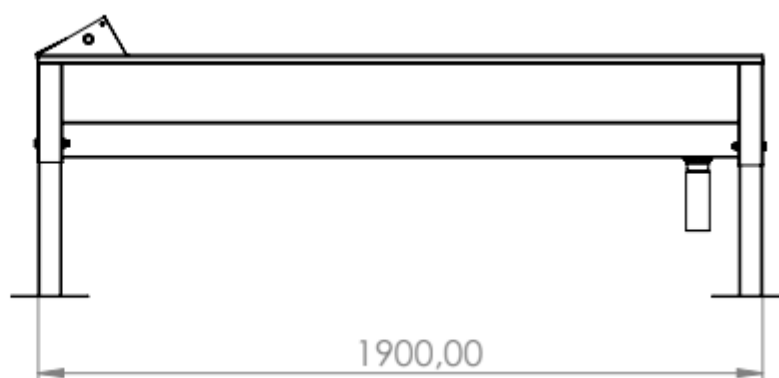
FD100010



1990 MM / 752 MM / 733,69 MM

GALVANIZED SHEET METAL DRINKERS

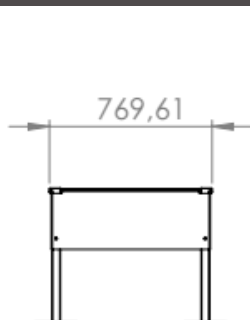
FD100013



2904 MM / 769,61 MM / 633,5 MM

STAINLESS STEEL DRINKERS

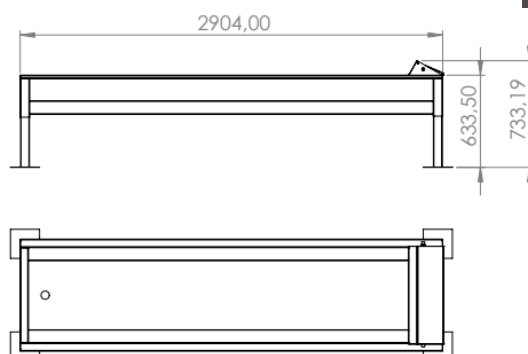
FD100088



2904 MM / 769,61 MM / 633,5 MM

GALVANIZED SHEET METAL DRINKERS

FD100089



02. FORAGE RACKS

WITH 3 SPACES PANEL

F0100014



7 UNITS

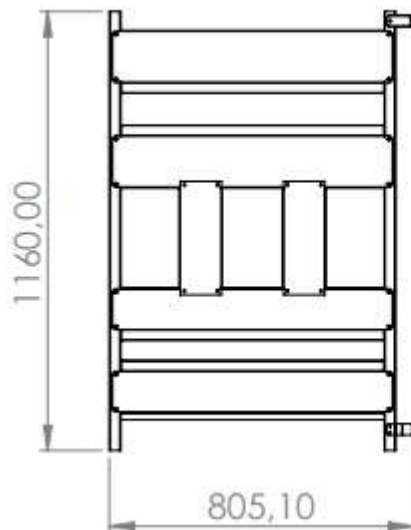


It has an easy panel connection system that is impossible to disassemble for the animals.

Maximum comfort for the farmer and minimum waste of food for the animal.



4 UNITS



02. FORAGE RACKS



FO100015

RECTANGULAR SHEEP FORAGE RACK

Rectangular sheep trough, made of reinforced galvanized metal sheet. This product is perfect to put the forage bales and for cattle to eat without wasting feed.



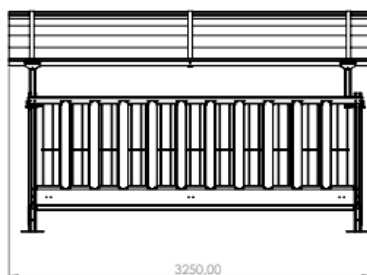
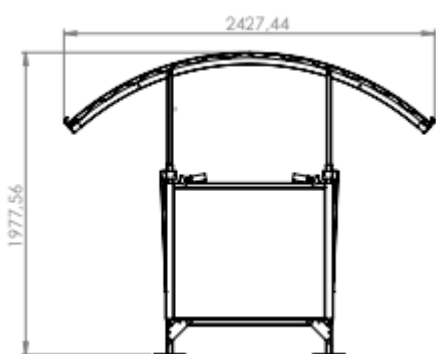
FO100016

02. FORAGE RACKS

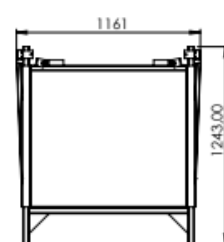
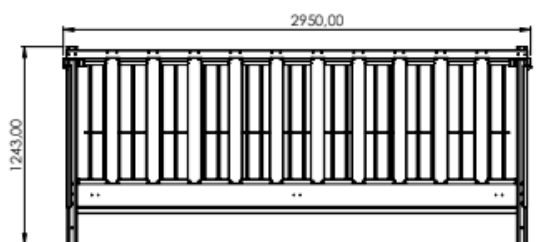
ADJUSTABLE FORAGE RACK



The forage rack has a system that closes as the animals eat, to ensure that the forage is always compressed.



F0100067
2427 MM / 1977,56 MM / 3250 MM



F0100066
2950 MM / 1243 MM / 1161 MM

02. FORAGE RACKS

BARS FORAGE RACK WITHOUT ROOF

FO100021

HOT DIP GALVANIZED.

The fronts are adjustable giving the farmer the opportunity to put bales of different sizes.



The forage rack has a tray on the base to prevent the forage to fall to the ground or to add feed or vitamins.



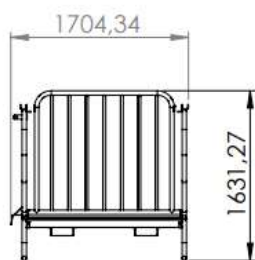
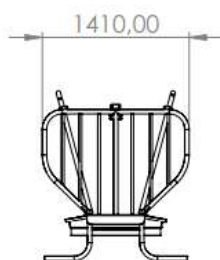
It has skids in order to be able to be easily transported around the field.

02. FORAGE RACKS



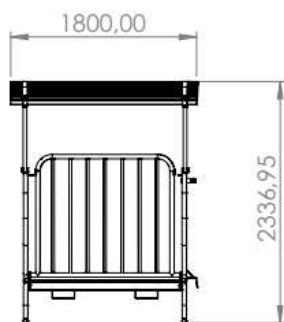
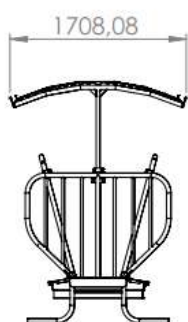
BARS FORAGE RACK WITH ROOF

HINGED ROOF



F0100021

1410 MM / 1704,34 MM / 1631,27 MM



F0100022

1708,08 MM / 1800 MM / 2336,95 MM

02. FORAGE RACKS

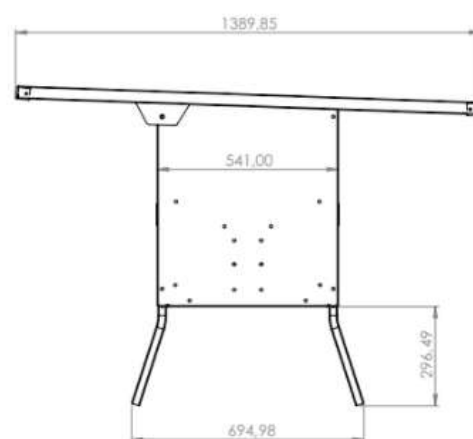
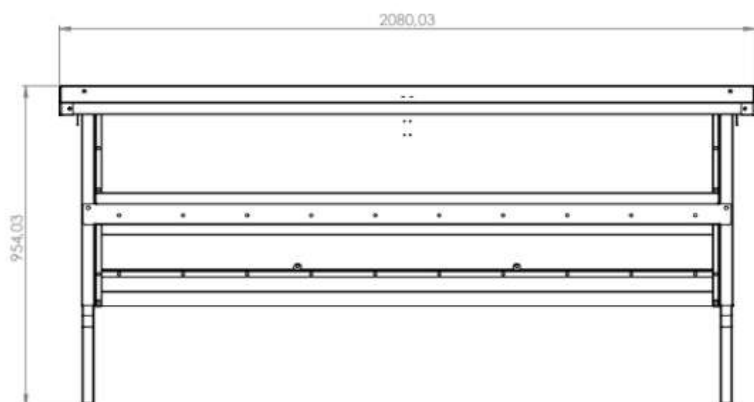
OUTDOOR HOPPER TWO SIDES

F0100078

Made of galvanized metal sheet and it has adjustable legs.

This hopper is screwed, not welded, therefore increasing its durability.

It is ideal for outdoor use and there is access to the trough from both sides.



02. FORAGE RACKS

FORAGE RACK

Our classic forage rack with access from both sides, made of galvanized metal sheet and reinforced rod, giving it extra strength.



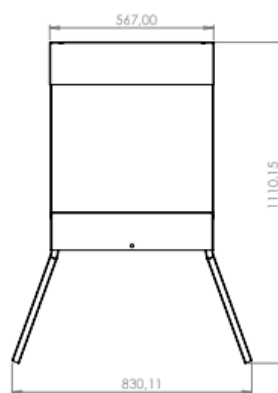
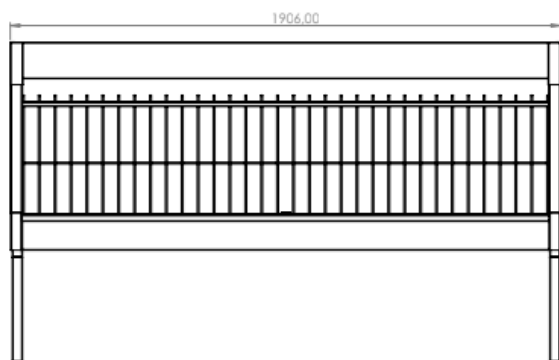
Thanks to its lower tray, we avoid waste and give the option of adding other kind of food different from forage.



It also has a bottom separator to make the hopper a part of the fence when the lambs are housed.

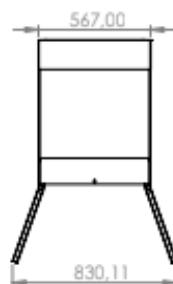
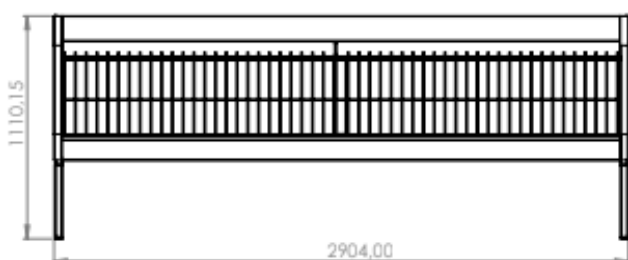
This separator prevents lambs from passing from one side to the other under it.

02. FORAGE RACKS



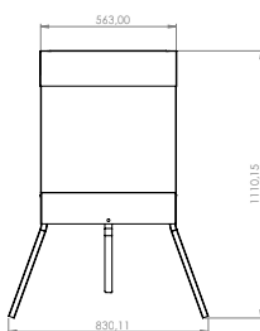
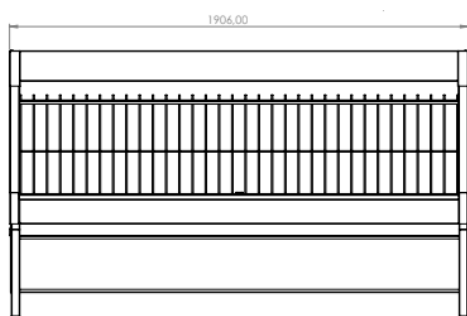
FO100060

1906 MM / 830,11 MM / 567 MM



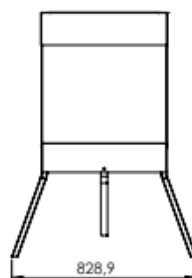
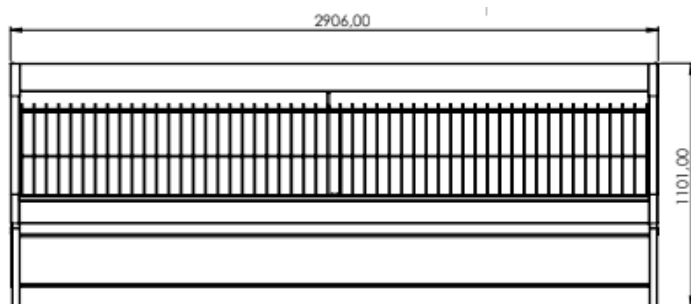
FO100061

2904 MM / 830,11 MM / 567 MM



FO100062

1906 MM / 830,11 MM / 563 MM



FO100063

2906 MM / 1101 MM / 828,9 MM

02. FORAGE RACKS

WALL FORAGE RACK

This wall forage rack is a very economic version, since the wall is used as "hopper" to store the forage



They can be installed side by side and it has a bottom plate to avoid forage waste. Furthermore, it allows to add feed or other vitamins.

This forage rack is made of galvanized metal sheet and reinforced rods, guaranteeing a very long service life.

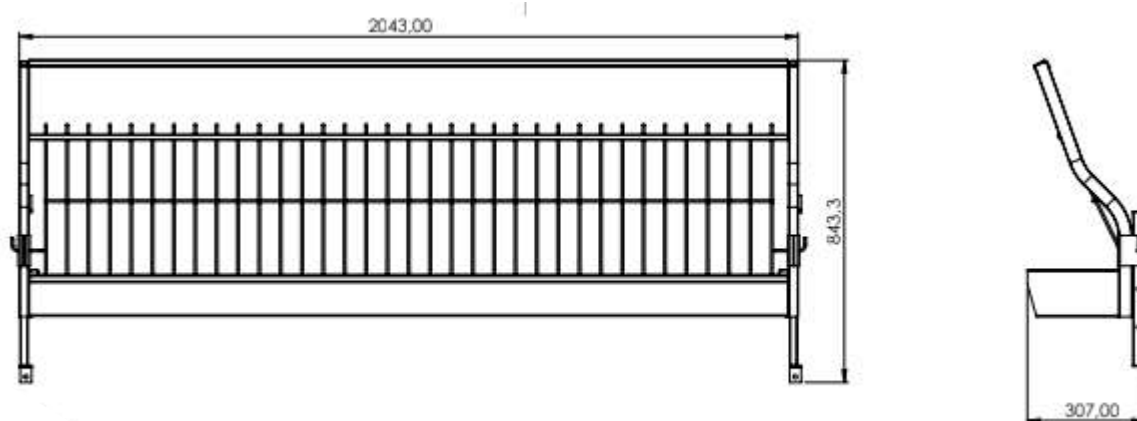
Each forage rack is equipped with two brackets to fix it to the wall. These brackets have three height adjustments, giving the farmer the possibility to lower and raise them depending on the age or size of the animal.



02. FORAGE RACKS

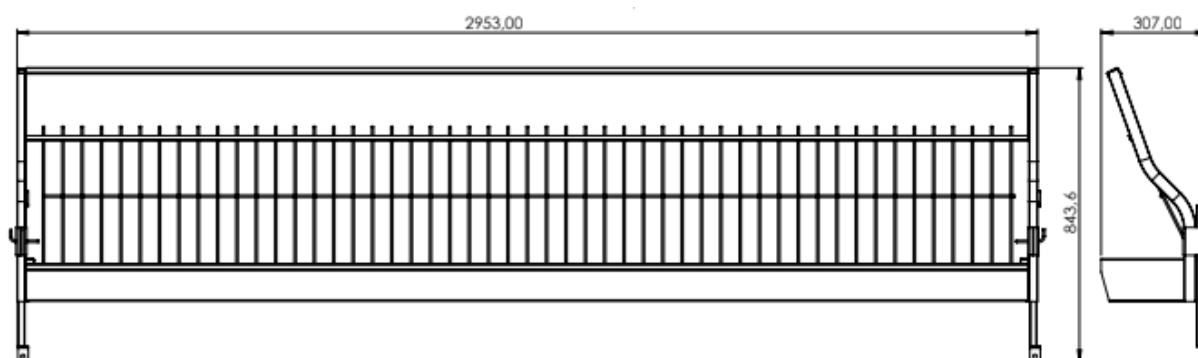
F0100092

2043 MM / 843 MM / 307 MM



F0100093

2953 MM / 843,6 MM / 307 MM



03. FEEDER

FLOOR FEEDER

Floor feeder ideal for putting feed.

We have various measures and it is made of reinforced galvanized metal sheet.



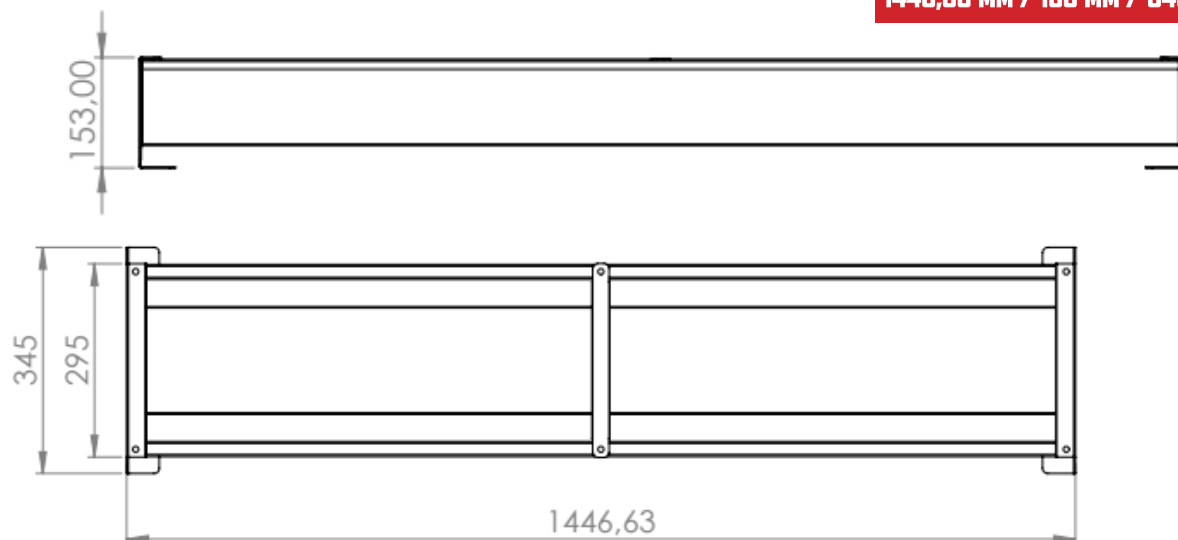
The feeder base is not in contact with the floor, since the legs raises it.



03. FEEDER

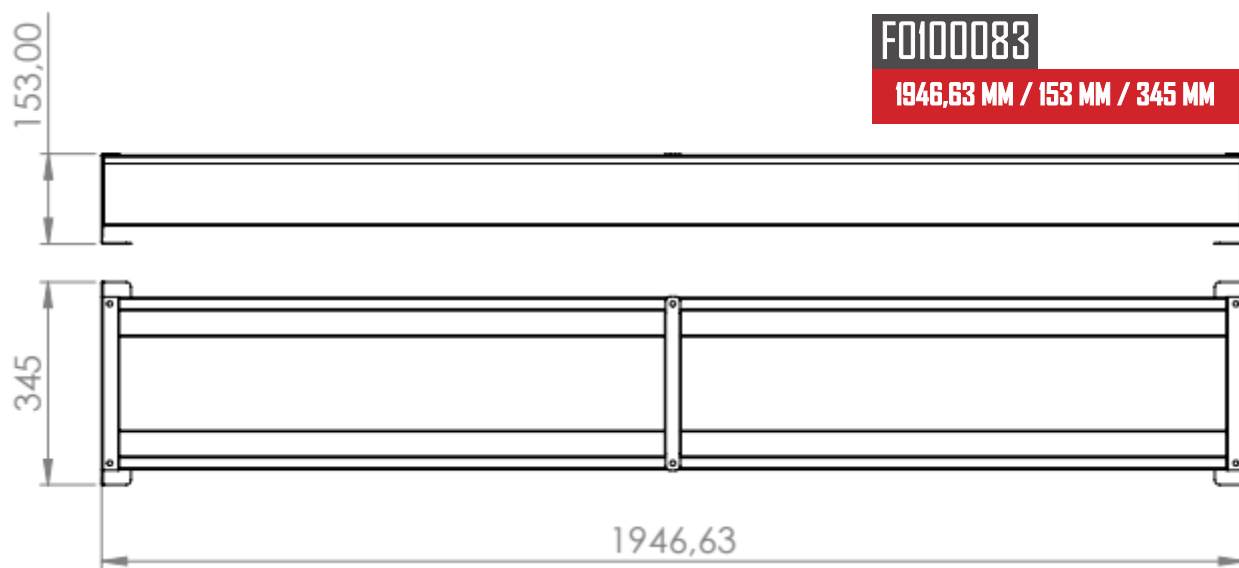
FO100084

1446,63 MM / 153 MM / 345 MM



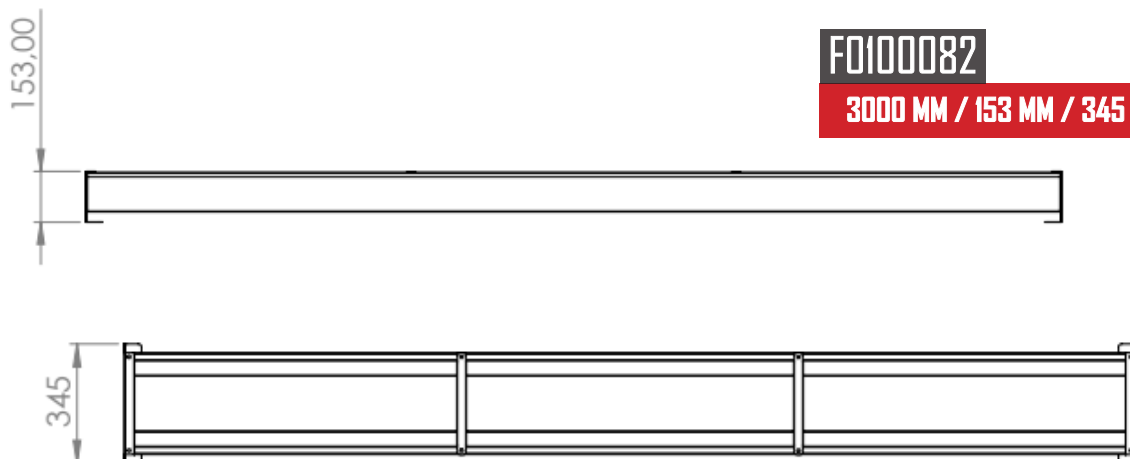
FO100083

1946,63 MM / 153 MM / 345 MM



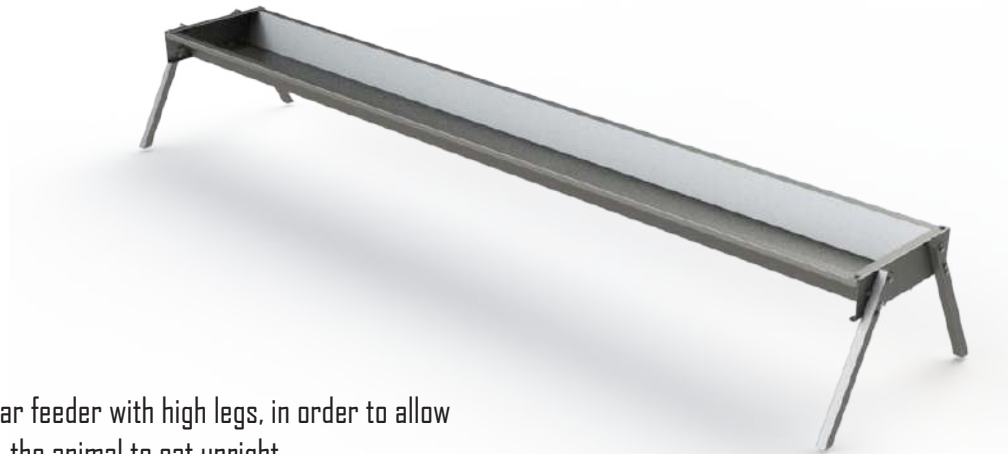
FO100082

3000 MM / 153 MM / 345 MM



03. FEEDER

FEEDER WITH LEGS



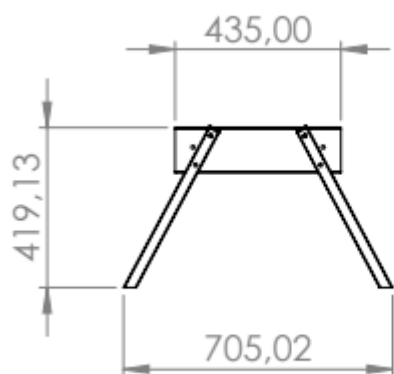
We have a linear feeder with high legs, in order to allow the animal to eat upright.



The trough is made of reinforced galvanized sheet.

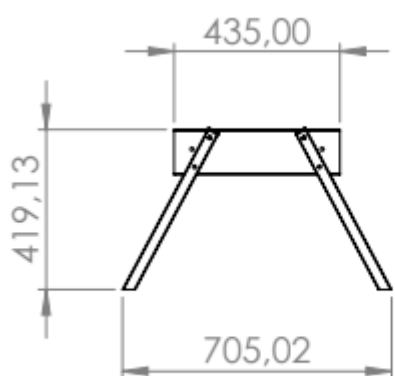
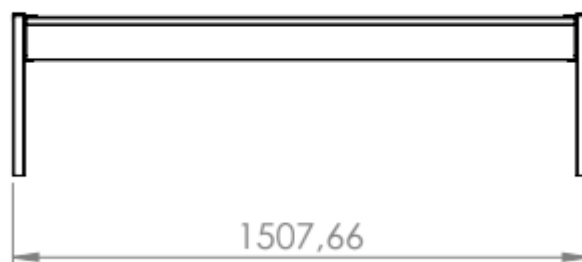


03. FEEDER



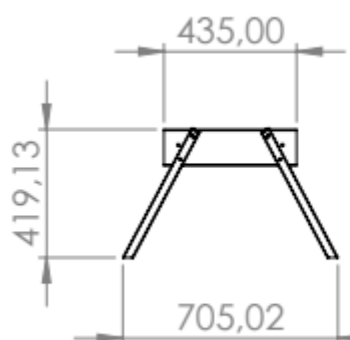
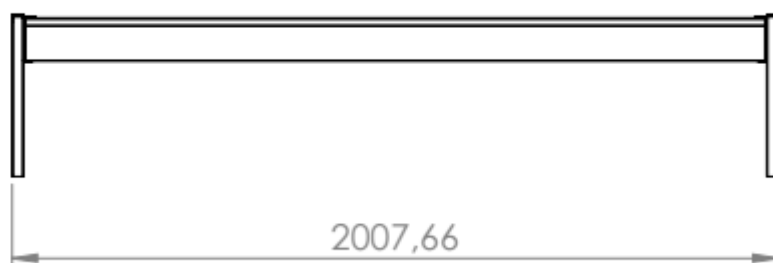
F0100085

1507,66 MM / 705,02 MM / 419,13 MM



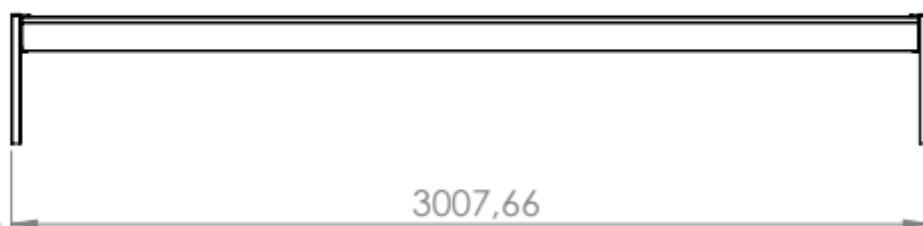
F0100086

2007,66 MM / 705,02 MM / 419,13 MM



F0100087

3007,66 MM / 705,02 MM / 419,13 MM



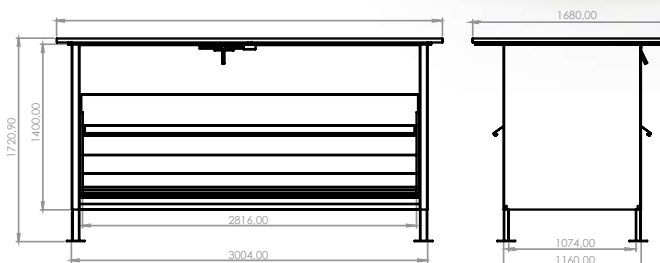
03. FEEDER



DOUBLE-SIDED LAMB HOPPER

FO100094

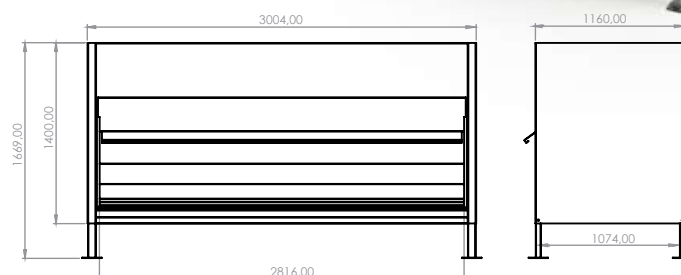
3004,00 MM / 1720,90 MM / 1680,00 MM



Made of galvanized sheet metal, it has removable and height-adjustable legs. There are several models of different capacities. It incorporates a feed regulation slide in order to obtain a better use of the feed. Suitable for fattening lambs and sheep. It can also be unloaded with a shovel.

FO100095

3004,00 MM / 1669,00 MM / 1160,00 MM



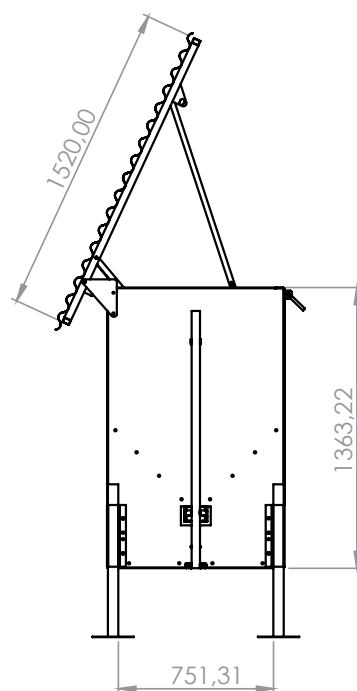
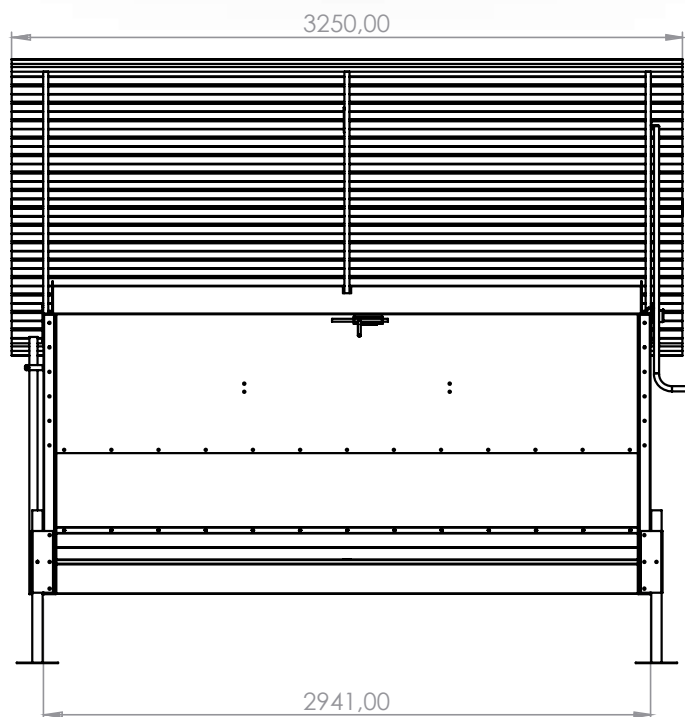
03. FEEDER

DOUBLE-SIDED SHEEP HOPPER

Made of galvanized sheet metal with removable and height adjustable legs. Designed for outdoor use. Manufactured using the punching system with screws, not welding, which gives greater durability and resistance to the product. Allows food rationing. It incorporates a lever-operated mechanism that fills the tray with each movement.

F0100096

3250 MM / 1520 MM / 1363,22 MM



03. FEEDER

2 SIDES HOPPER

Manufactured in 1.2mm thick sheet metal thickness, providing a very high resistance to shocks produced by the intensive farm work.

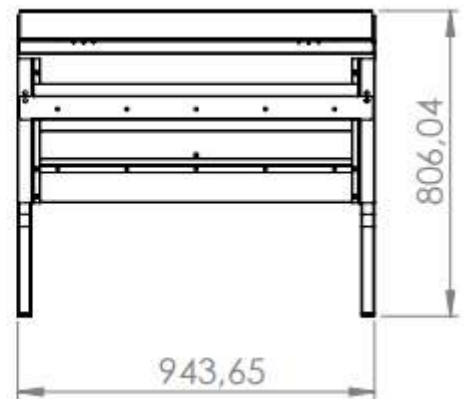
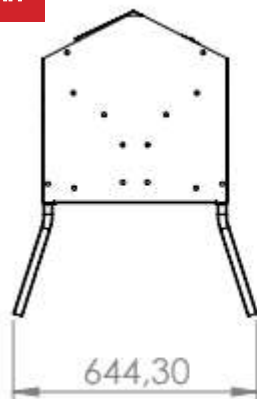
The top lid is reinforced so that it cannot buckle or bend if a goat or sheep climbs on top of it.



The lid has a folding opening through two heavy-duty hinges.

FO100039

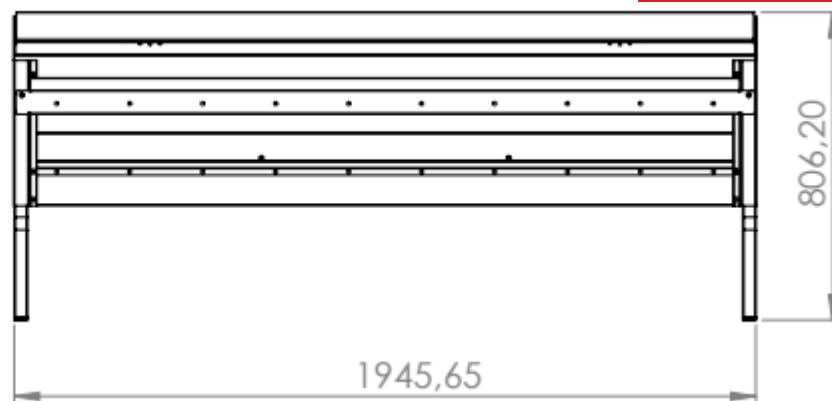
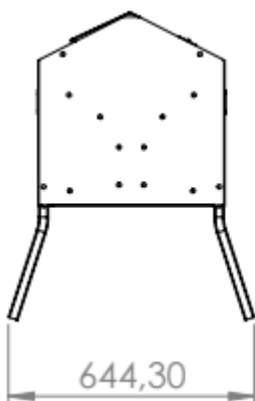
943,65 MM / 644,3 MM / 806,04 MM



The hopper is delivered dismantled and is easily assembled with screws.

FO100040

1945,65 MM / 644,3 MM / 806,20 MM

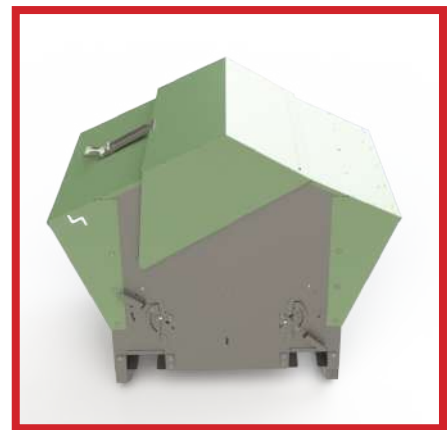


03. FEEDER



FEEDER ADJUSTABLE HOPPER

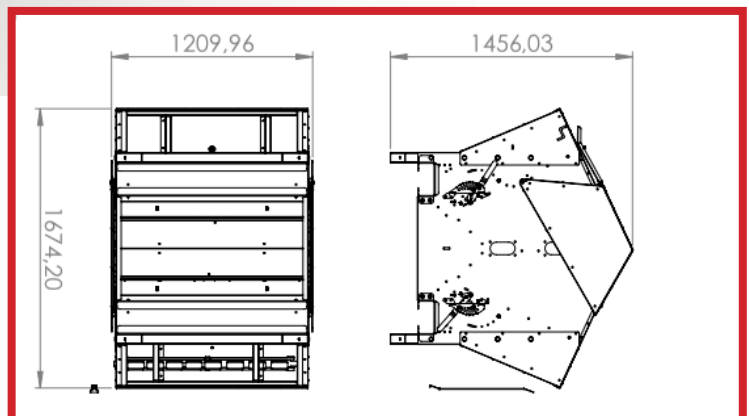
It is a two-sided hopper, where the farmer can regulate the feed output in two directions. This hopper has the necessary systems to be installed outside or inside of the barn.



The lid has a safety lock and also has skids to be transported by the tractor.

F0100081

1456,03 MM / 1209,96 MM / 1674,20 MM



03. FEEDER

ONE SIDE FEEDER

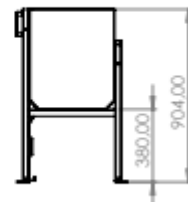
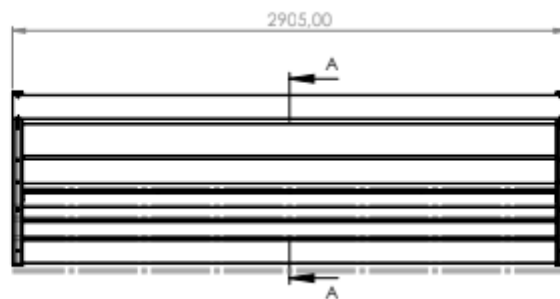
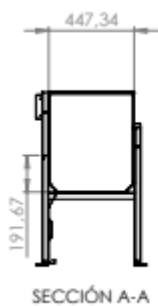


Sheep one side trough, made of galvanized metal sheet. This product is perfect for putting the forage or fodder in feedlots, ensuring the maximum use of it.

The hopper opening size is the right for the sheep to insert the head to eat without being able to take the forage out, eliminating waste and maximising benefits.



It has a lower latch in order to prevent housed lambs from passing under it, allowing in turn to build pens.



F0100017

2905 MM / 447,34 MM / 904 MM

F0100018

2000 MM / 581 MM / 904 MM

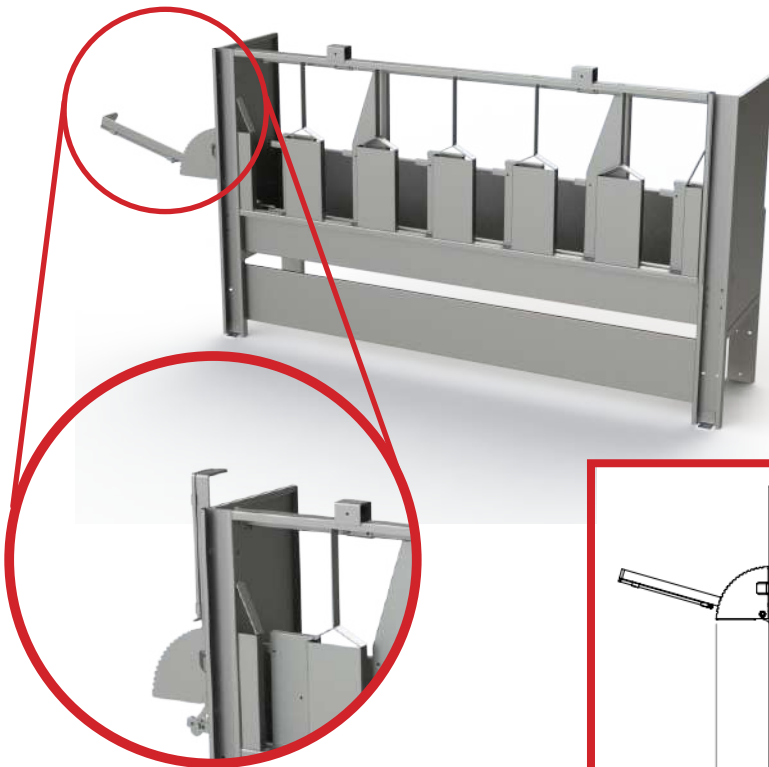
03. FEEDER

CORRAL ONE SIDE FEEDER WITH STANCHION

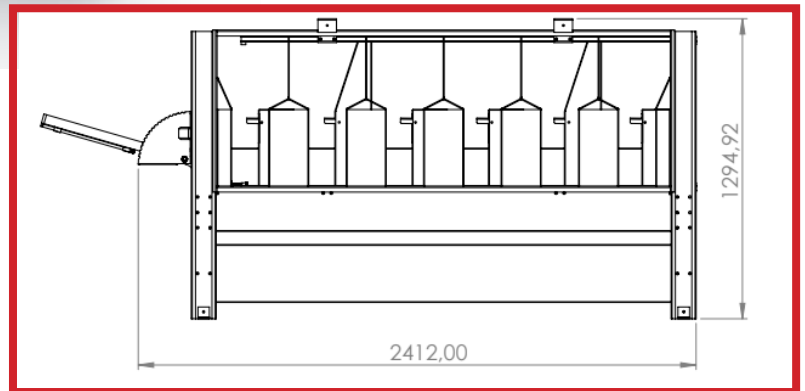
F0100064

2412 MM / 1294,924 MM / 517 MM

The start has a lever in order to allow or close access.



REINFORCED GALVANIZED METAL SHEET

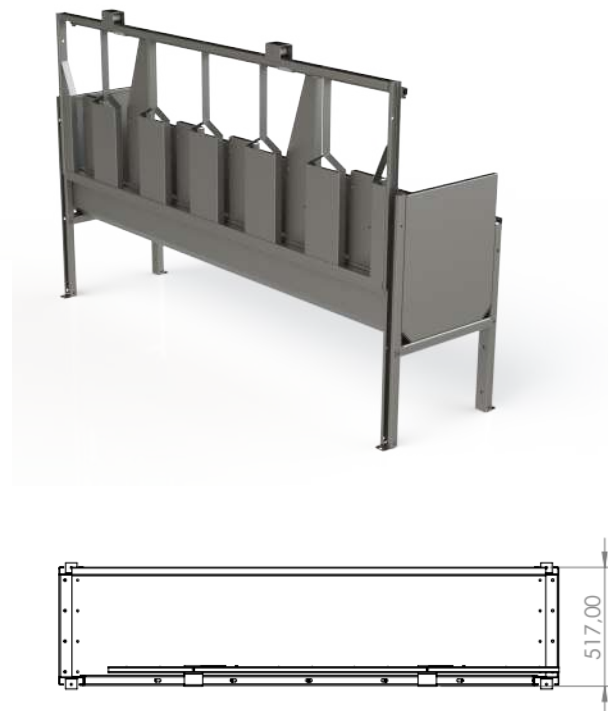
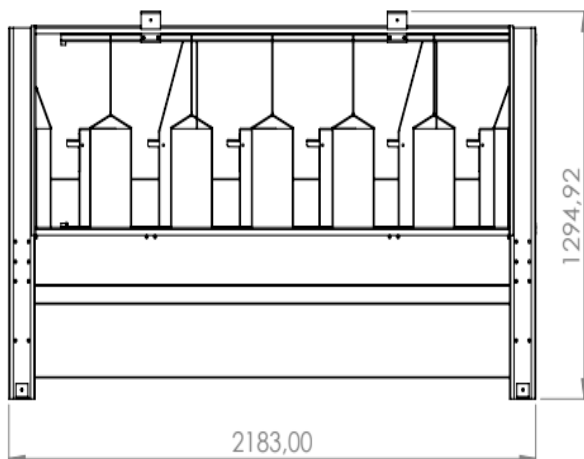


ONE SIDE FEEDER CORRAL EXTENSION WITH STANCHION

F0100065

2183 MM / 1294,92 MM / 517 MM

The extensions are connected to the main one in order to open and close all the gates together.



03. FEEDER

TWO SIDES FEEDER

FO100019

2905 MM / 652 MM / 904 MM

Double-sided sheep feeder, made of galvanized sheet metal. This product is perfect for depositing bales of forage in feedlots, ensuring their maximum utilization.



The size of the entrance to the trough is such that the sheep can insert its head to eat but being unable to take out the forage, thus reducing waste.



FO100020

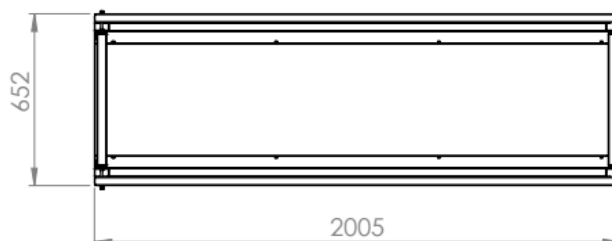
2005 MM / 652 MM / 904 MM



OPTIONAL:

This hoppers FO100019-20 has the possibility of adding a separation at the bottom to prevent the lambs crossing to other side from under the feeder. This becomes really useful when using it as fence.

FO100097, 2 meter sheet for FO100020.
FO100098, 3 meter sheet for FO100019.



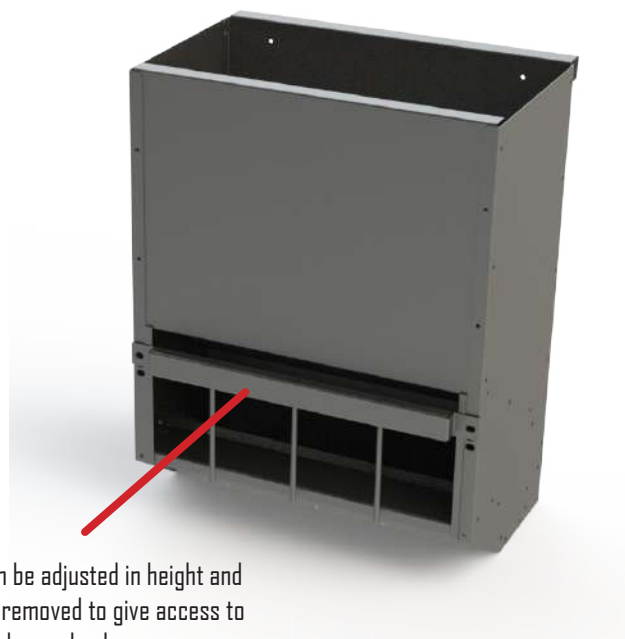
03. FEEDER



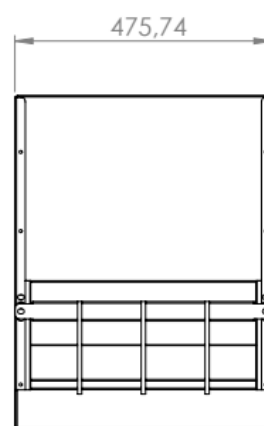
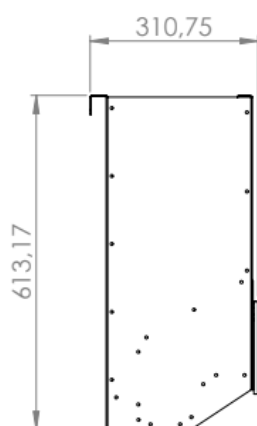
HOPPER

FO100041

475,74 MM / 310,75 MM / 613,17 MM



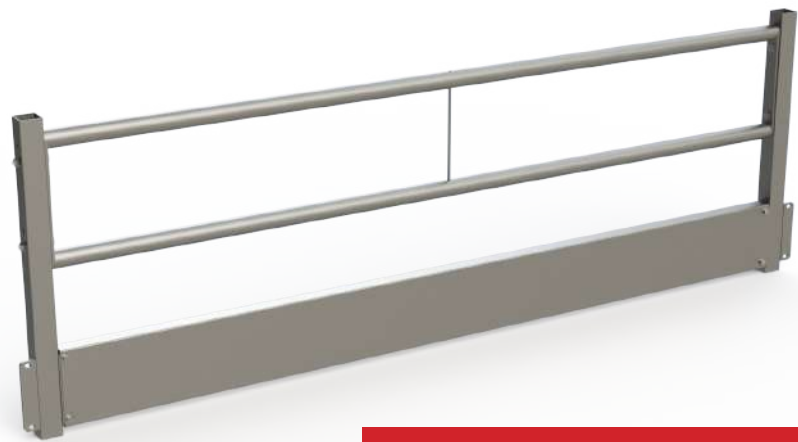
The grid can be adjusted in height and can also be removed to give access to larger lambs.



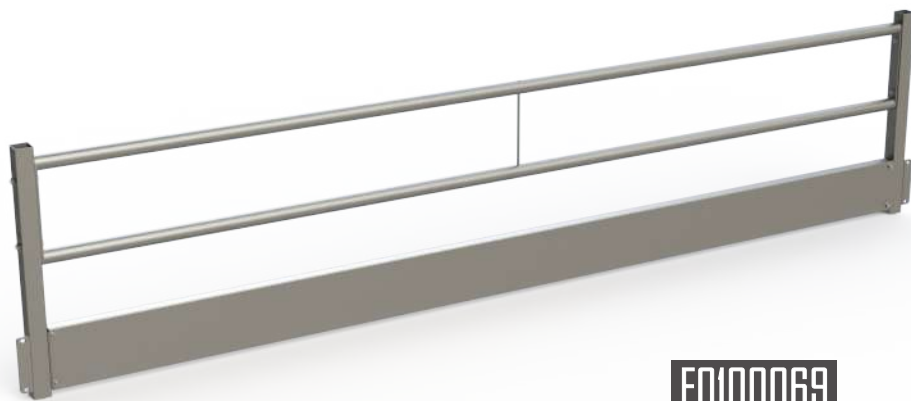
03. FEEDER

UNRESTRICTED FEEDER

In the beginning, the unrestricted feeding trough has two pillars, but the extensions have only one, since one pillar supports two feeding troughs.



THEY ARE DELIVERED WITHOUT JOINING PILLAR

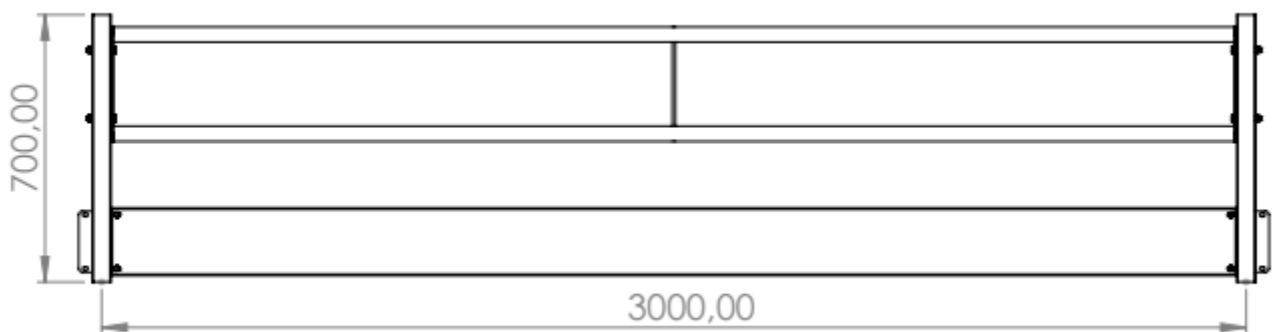
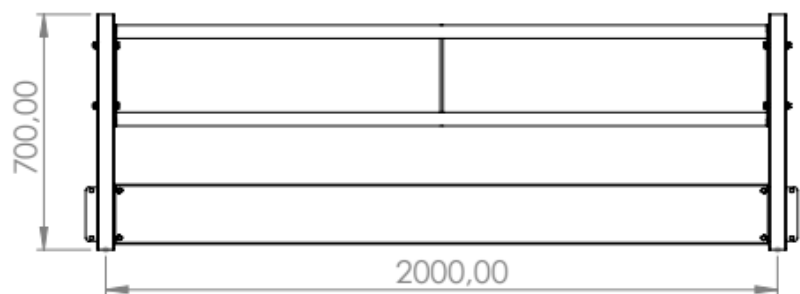


FO100069

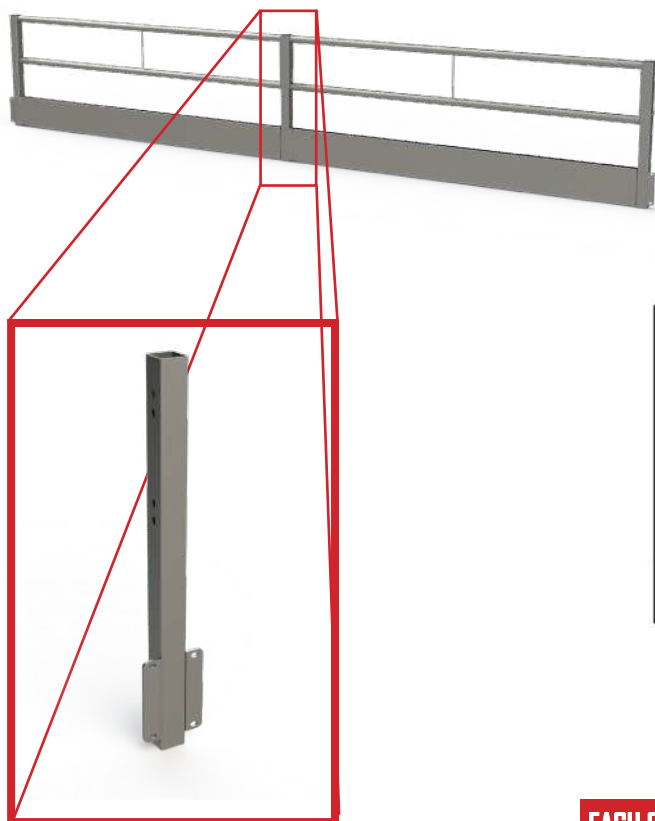
2000 MM / 700 MM

FO100070

3000 MM / 700 MM

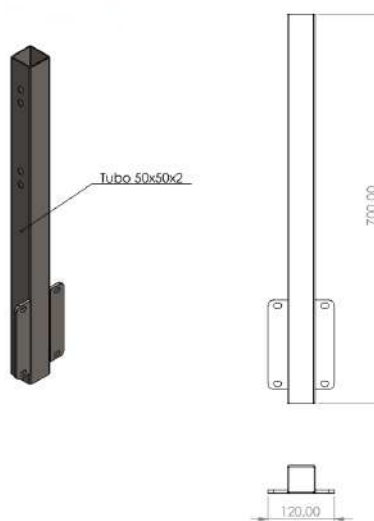


03. FEEDER



FEEDER
JOINING PILLAR
FD100068

700 MM / 120 MM



EACH CONNECTING PILLAR HOLDS TWO FEEDERS



03. FEEDER



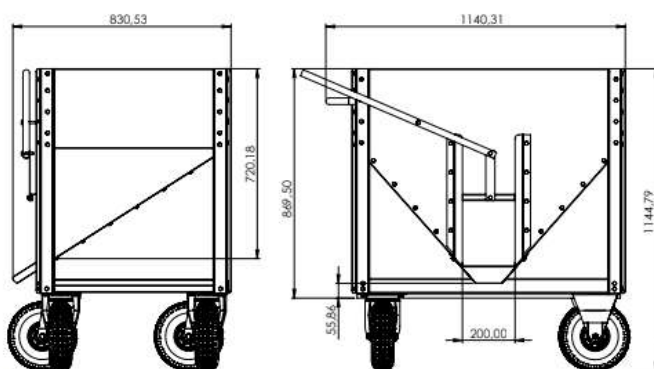
TROLLEY

FD100090

1140,31 MM / 830,53 MM / 720,18

This trolley incorporates a manual opening for the feed, and wheels suitable for outside use.

Its galvanized sheet metal structure makes it a very strong and solid cart. It is served bolted without welding, extending the life of the product.



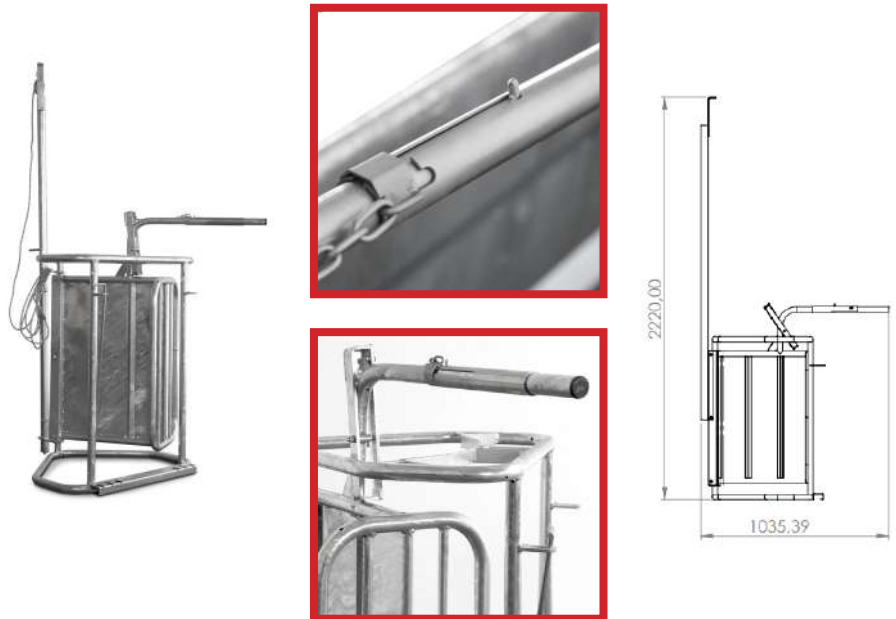
04. CHUTES

SORTING GATE

FO100031

2220 MM / 1035,39 MM / 702,18 MM

Our sorting gate includes a locking system so that the animal cannot force the lever back and forth, and it also has a mechanism to deactivate the sorting gate lock. The gate has three settings, to give the farmer the opportunity to make the chute narrower or wider.

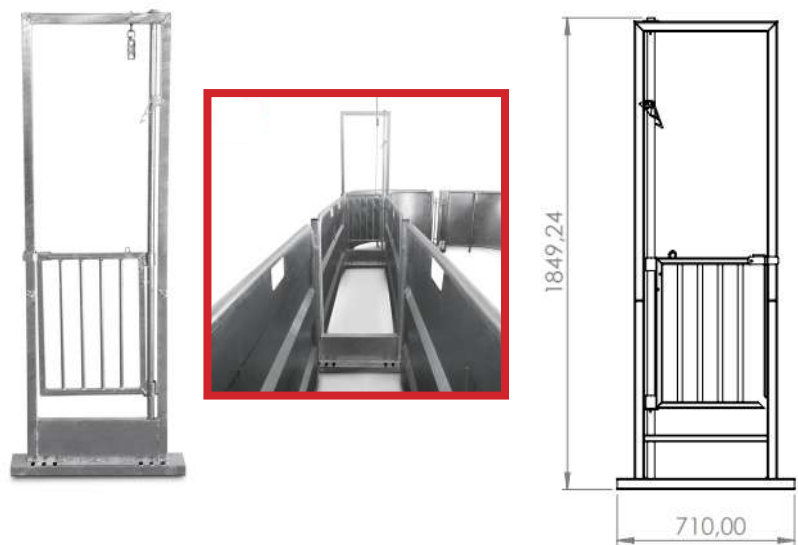


REAR GUILLOTINE DOOR

FO100032

1849,24 MM / 710 MM / 151,72 MM

The rear guillotine door has three adjustment levels, in order to give the farmer the opportunity to make the chute narrower or wider. The fixing system is by galvanized iron rods.

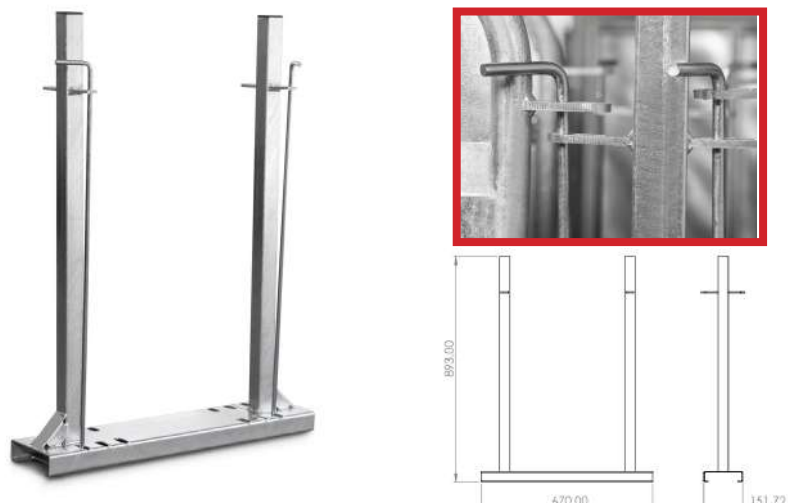


JOINING ARCH

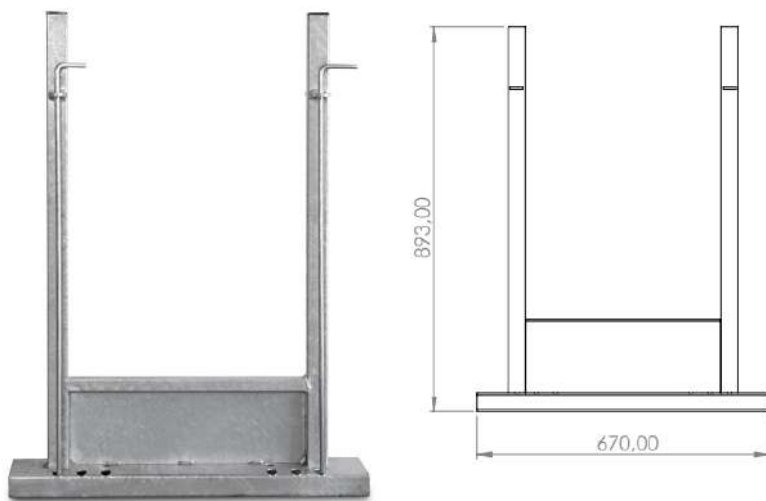
FO100033

893 MM / 670 MM / 151,72 MM

The fence joining arch to form the sheep chutes, has three regulations in order to give the farmer the option to make it narrower or wider. The type of fixation is through galvanized iron rods.



04. CHUTES

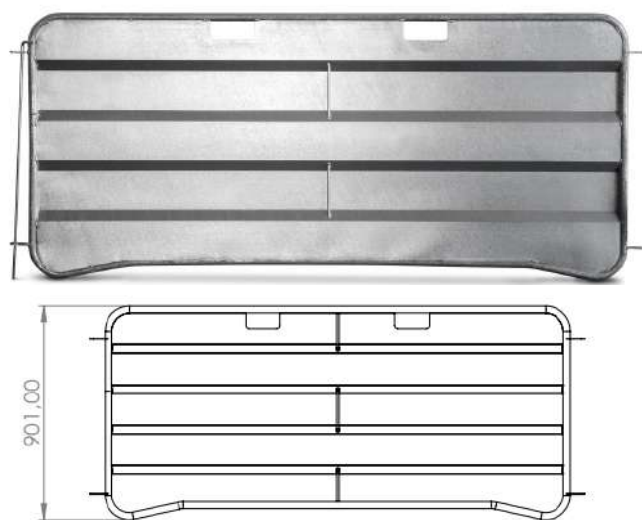


NON- RETURN JOINING ARCH FOR SHEEP CHUTES

FO100034

893 MM / 670 MM / 151,72 MM

Joining arch with a non-return system so that sheep and goats cannot turn back, making it completely safe for the animal.

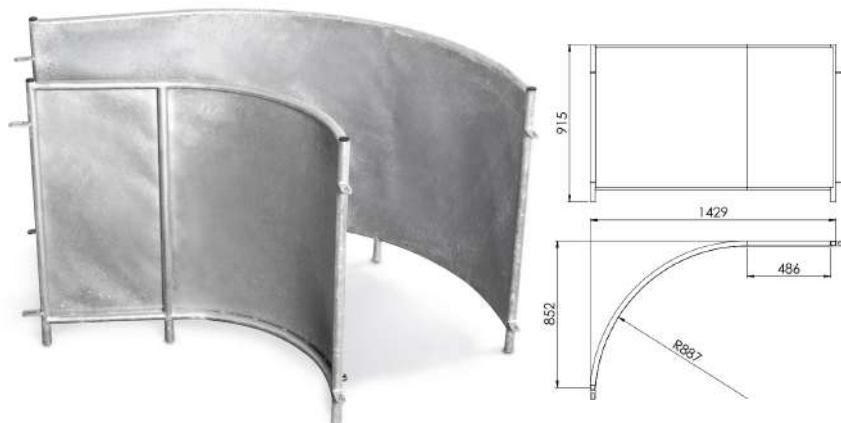


CLOSED METAL FENCE

FO100035

2153,98 MM / 901 MM / 30 MM

Fully enclosed fence made of galvanized sheet metal. It is the most popular fence for chutes as it is totally opaque, preventing sheep from being scared along the way.



90° CLOSED METAL FENCE

FO100043

1429 MM / 915 MM / 852 MM

Curved fence, designed to make the turns of the chute to have an angle of 90°. It is made of 1 mm thick galvanized and closed sheet metal.

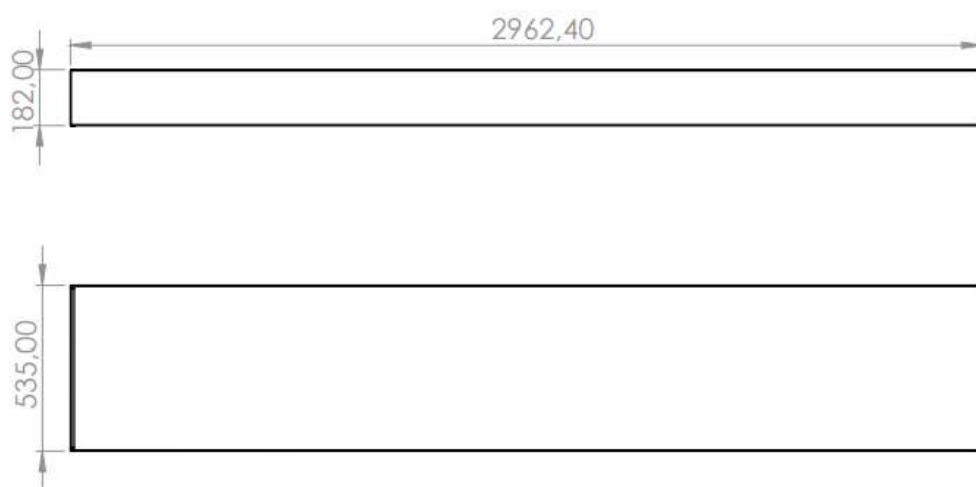
04. CHUTES

BUCKET FOR DISINFECTING AND CURING HOOVES

FO100091

2962,40 MM / 535 MM / 182 MM

This tray is placed in between chutes to assure the farmer that all the animals will cross it.



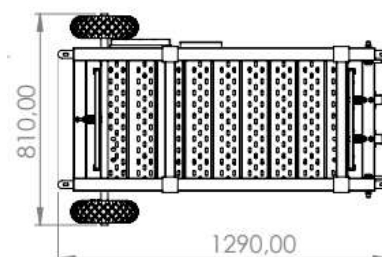
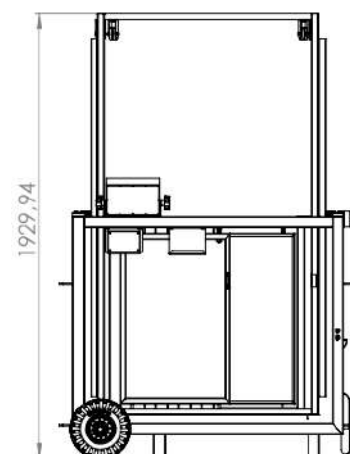
SHEEP AND GOAT SCALE

FO100001

1290 MM / 810 MM / 1929,94 MM

Scales for weighing sheep and goats up to 250 Kg of weight. Made of hot dip galvanized metal. This work tool speeds up the weighing of individual livestock, facilitating the handling of the animal.

This product can be fixed to the chutes, simplifying the weighing.



It has a guillotine door to control access to the scale in an organized way. It has three exits to sift the sheep in three different pens.



04. CHUTES

SHEEP TURNER

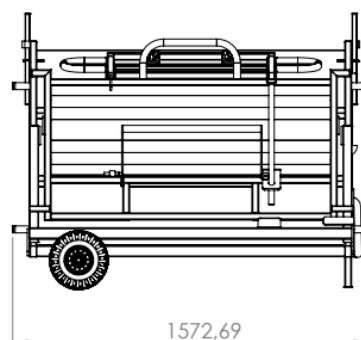
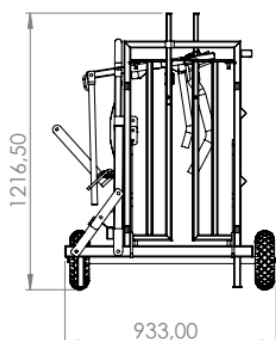
FO100023

1572,69 MM / 933 MM / 1216,5 MM

The sheep turner makes it easier for the farmer to handle livestock for medical check-ups and hoof sanitation.

The sheep or goat enters through the entrance gate and the gate is closed and the animal is immobilized in the pen.

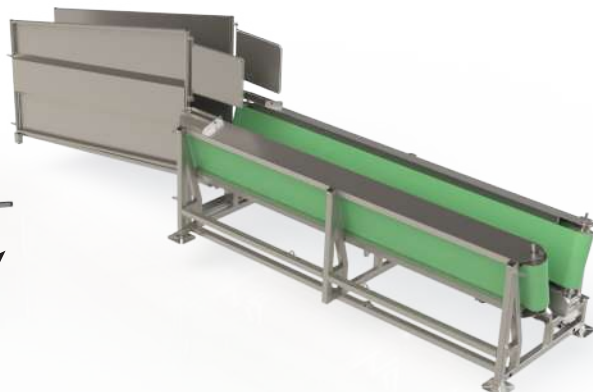
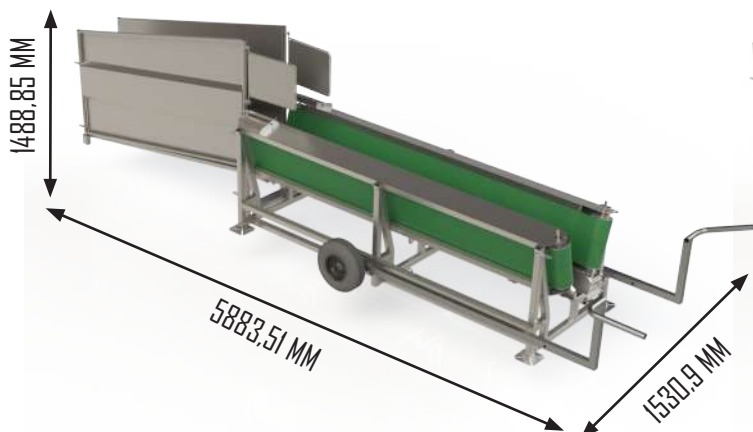
The turner incorporates wheels for mobility around the farm, making it much easier to handle the animal.



RESTRAINER

FO100075 5883,51 MM / 1530,9 MM / 1488,85 MM

Made of 304 stainless steel ensuring maximum durability. This product makes work easier for farmers, since allows to do multiple tasks as checking, such as chekups, trimming hooves and medicate.



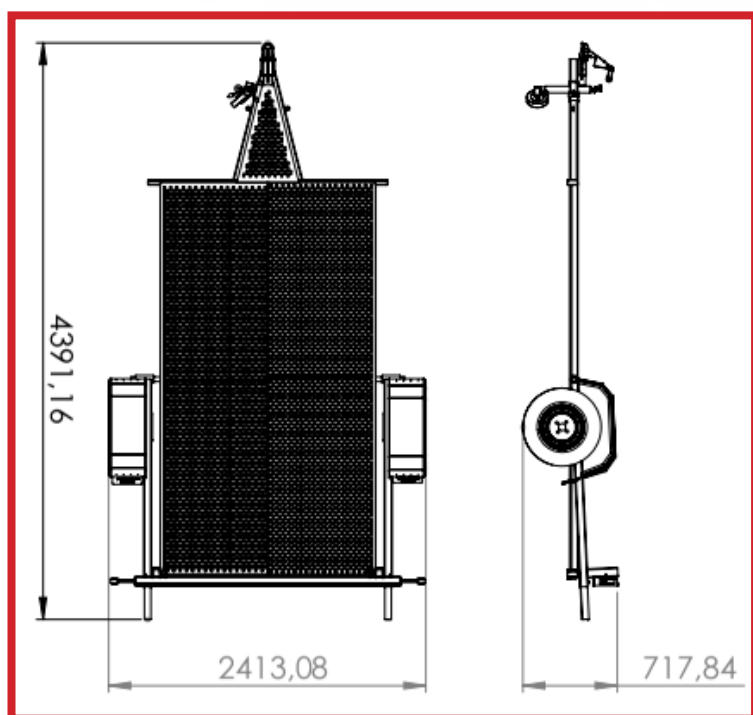
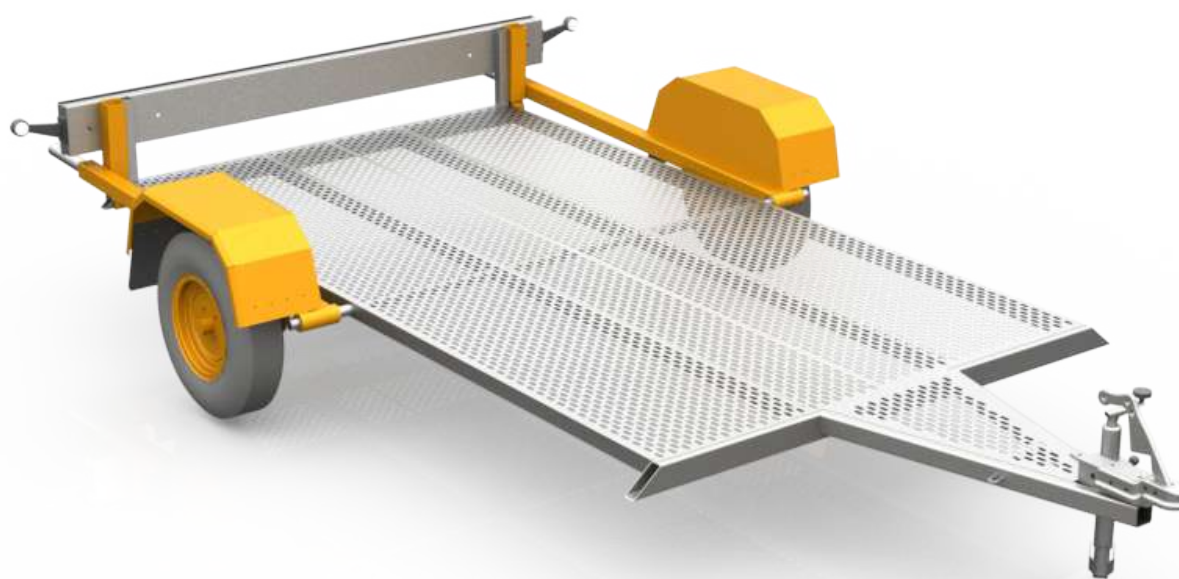
INCLUDES RAMP AND TRANSPORT WHEELS

04. CHUTES

CHUTES TRAILER

FD100076 4391,16 MM / 2413,08 MM / 717,84 MM

The Restrainer has a trailer in order to make the transportation easier. It is approved for circulation on the road.



04. CHUTES

CHUTES

A chute is a passageway, narrow enough to allow the animal to pass through without being able to turn around.

This system is very useful to guide livestock in an organized way avoiding crowding. It also considerably reduces the stress.



FD100031
FD100032
FD100035 x2



FD100031
FD100032
FD100033 x3
FD100035 x8



FD100031
FD100032
FD100033 x2
FD100035 x6

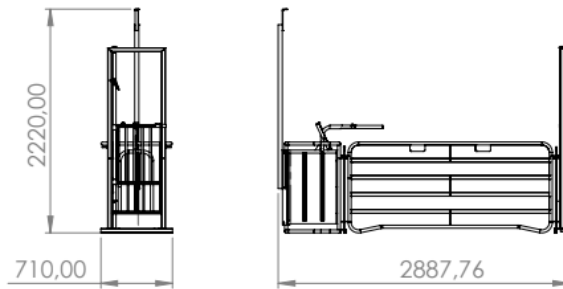


FD100031
FD100032
FD100033
FD100035 x5

04. CHUTES

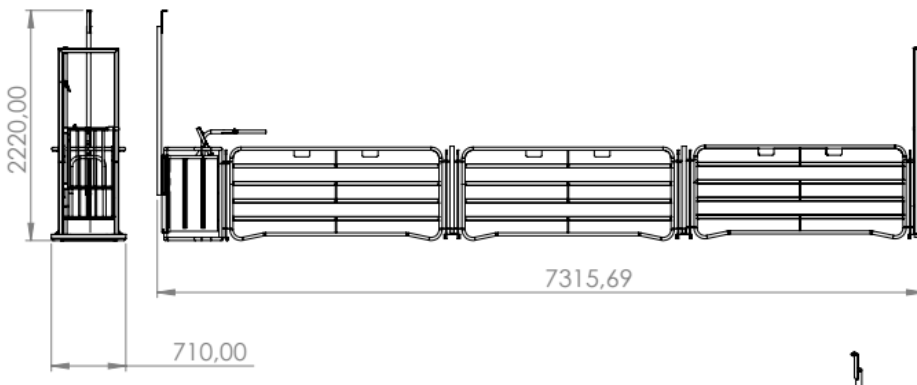
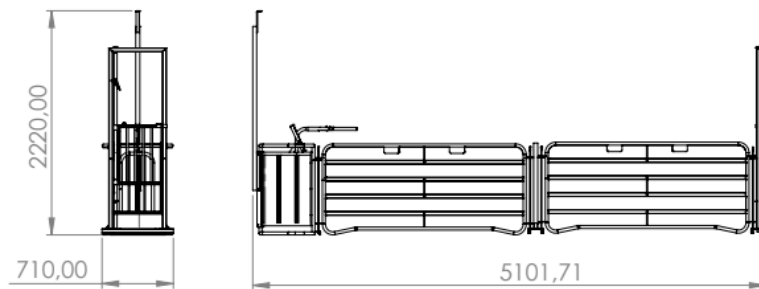
FO100026

710 MM / 2220 MM / 2887,76 MM



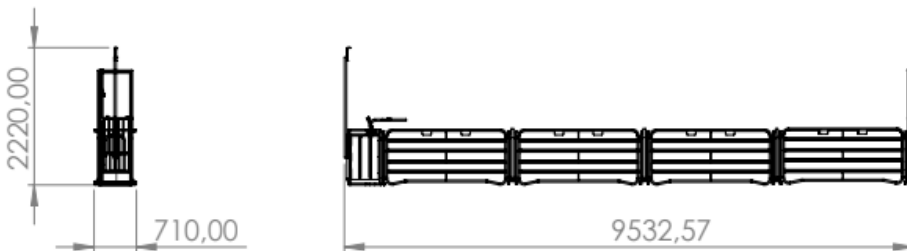
FO100027

710 MM / 2220 MM / 5101,71 MM



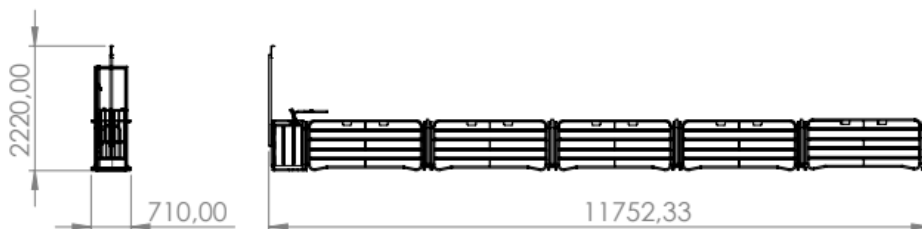
FO100028

710 MM / 2220 MM / 7315,69 MM



FO100029

710 MM / 2220 MM / 9532,57 MM



FO100030

710 MM / 2220 MM / 11752,33 MM

04. CHUTES

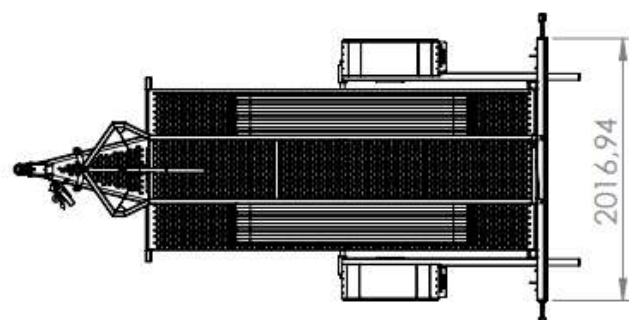
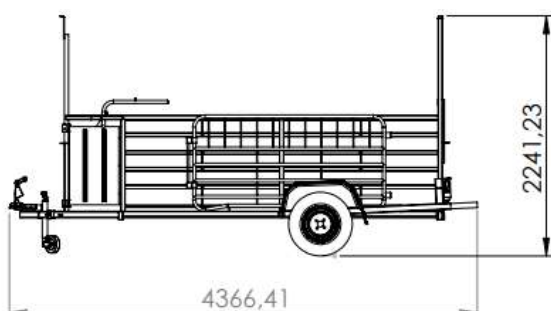


M-4000 TRAILER

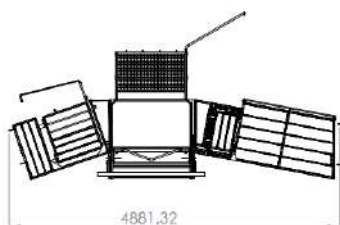
FO100024

4366,41 MM / 2016,94 MM / 2241,23 MM

Trailer chute for easy transport through different farms and stables. It is easy to assemble and disassemble, saving time and money to the farmer, since with this trailer a single chute can be moved through different areas. It is also a product that is approved by the European Union regulations to circulate on the road, highly recommended for veterinarians who have to move around.



04. CHUTES



TRAP-100

FO100025

4881,32 MM / 1218,89 MM / 2473,89 MM

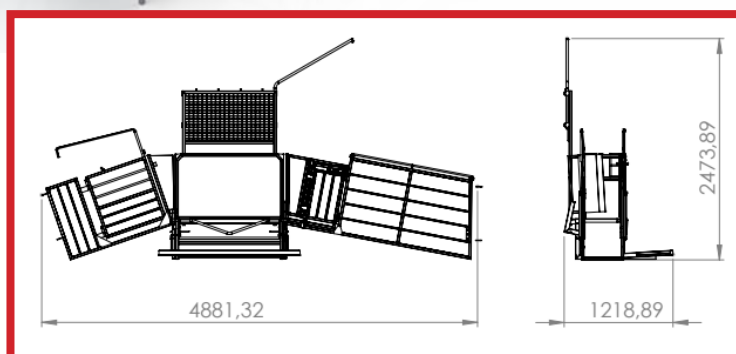
The sheep restraint system consists of an uphill ramp which has a door that allows access to the rear of the animal for proper examination. This door also prevents the next animal from disturbing the farmer while he is working.

TRAP TRAILER

FO100077

4881,32 MM / 1218,89 MM / 2473,89 MM

IT IS APPROVED FOR CIRCULATION ON THE ROAD



05. STANCHIONS

STANCHION

FO100058
12 HOLES

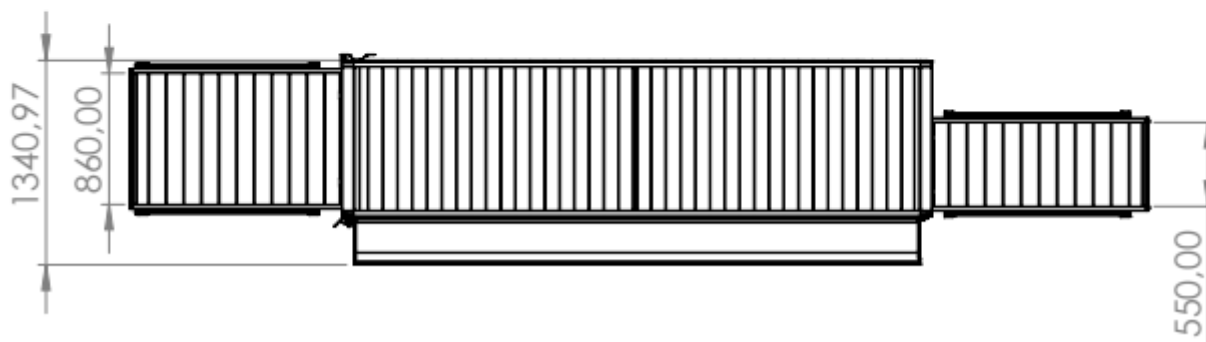
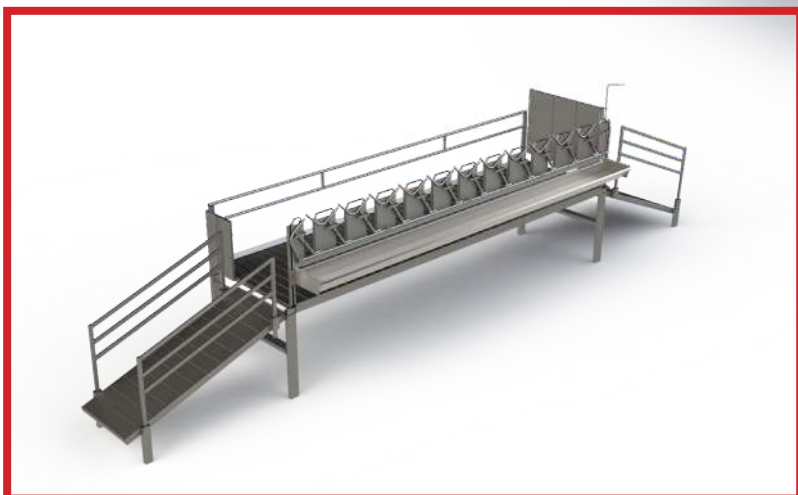
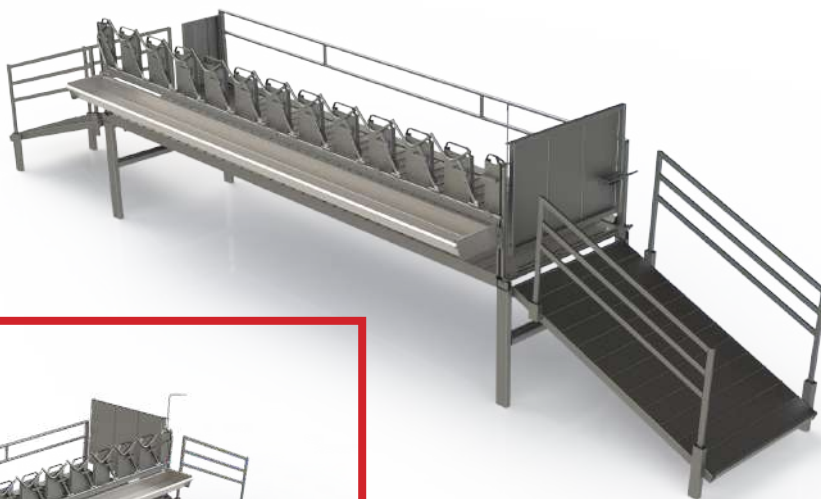
6677,45 MM / 1340,97 MM / 1543,50 MM

Stanchion milking table and a cascade system.

Made of galvanized metal sheet.

It includes feed trays in order to calm the animal while it is milked.

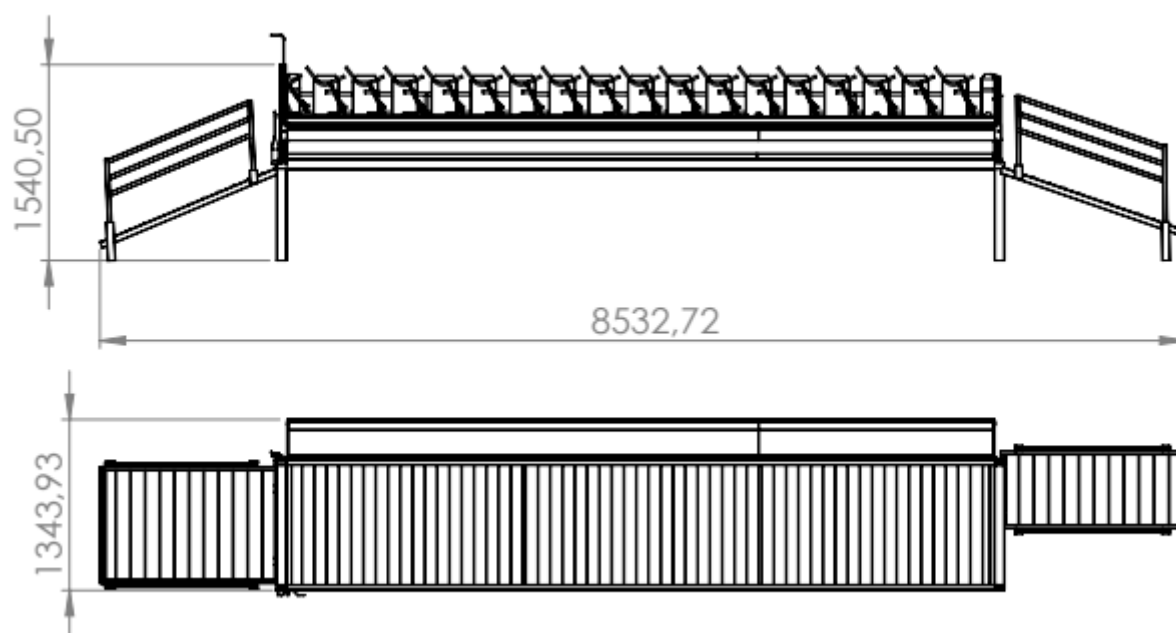
WE HAVE TWO SIZES, WITH 12 AND 18 HOLES



05. STANCHIONS

FO100059
18 HOLES

8532,72 MM / 1343,93 MM / 1540,50 MM



06. REFLECTORS

INFRARED LAMP

Type E27 240V

0273A0000
150W
60 X 24,5 X 18 CM (10 UNITS X BOX)
0271A0000
250W
60 X 24,5 X 18 CM (10 UNITS X BOX)



PAR 38

2056A0000
175W PHILIPS
67 X 34,5 X 15 CM (12 UNITS X BOX)
2195A0000
100W ECO
37 X 47 X 17 CM (12 UNITS X BOX)



ECO

0272A0000
150W
63 X 27 X 21 CM (10 UNITS X BOX)



REFLECTOR ALADINO

Made of non-toxic plastic, the reflector aladino is ideal for the first days of life of chickens, dogs, cats, pigs and sheep. Infrared lamps **NOT INCLUDED**.

250



WITH REGULATOR



1989A0000
5 M CABLE LENGTH

1982A0000
2.5 M CABLE LENGTH

1999A0000
5 M CABLE LENGTH

1990A0000
2.5 M CABLE LENGTH

Infrared lamps E27 150-250W max.
(not included).

Infrared lamps E27 of 175W max.
(not included).

07. FARROWING PEN

3 AND 6-HOLE FARROWING PEN FOR SHEEP

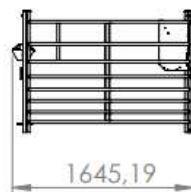
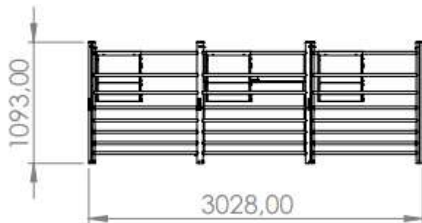
Manufactured with galvanized fences, each farrowing pen has an individual trough in reinforced galvanized sheet metal and a linear stainless steel drinking trough shared by all apartments. The valve is installed in the center of the drinking trough, so that water can be supplied to all three farrowing pens simultaneously. The drinking trough has a safety drain so that if there is any leakage in the drinking trough valve, it cannot flood the enclosure, causing diseases to the animals' feet.

The forage trough has a fastening system that can be used in any hutch and, of course, it can be moved to another location in the farrowing pen.



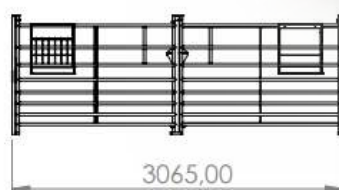
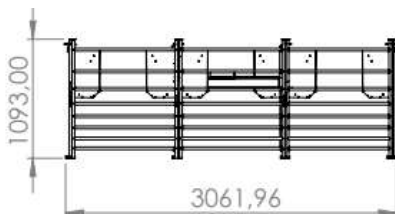
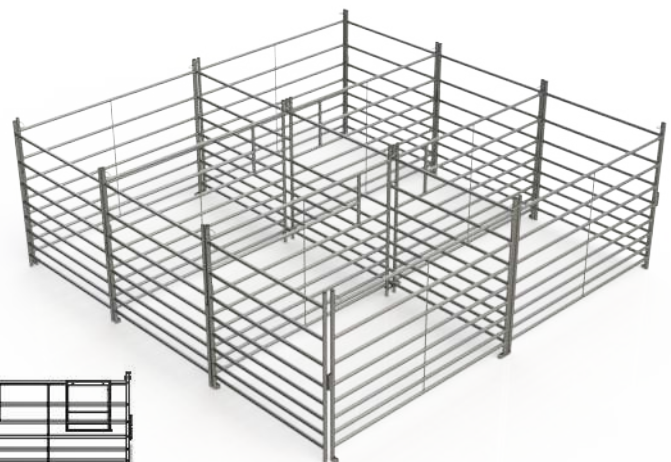
FO100036
3 SPACES

3028 MM / 1645,19 MM / 1093 MM



FO100038
6 SPACES

3061,96 MM / 3065 MM / 1093 MM



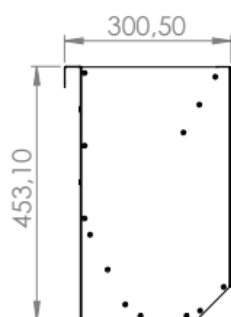
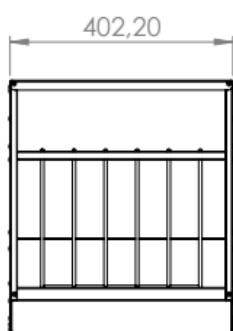
07. FARROWING PEN

FARROWING PEN HOPPER

FD100037

402,20 MM / 300,5 MM / 453,1 MM

FARROWING PENS INDIVIDUAL HOPPER MADE OF HOT-DIP GALVANIZED METAL SHEEP



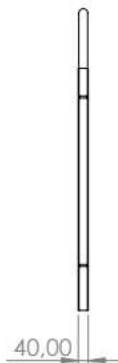
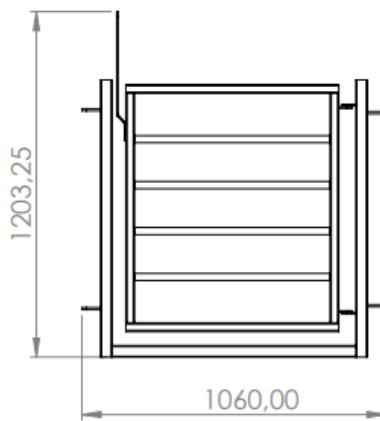
08. FENCES

100 CM TUBE GATE FOR PENS

FO100042

1060 MM / 40 MM / 1203,25 MM

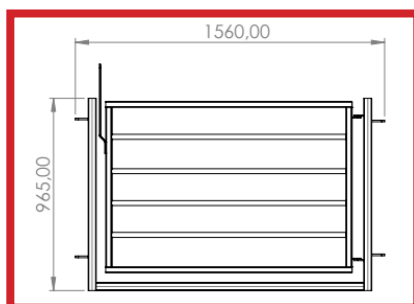
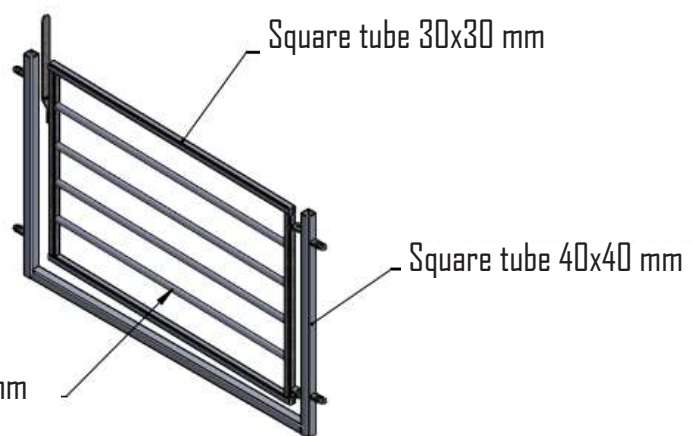
Access door to the corral made of hot-dip galvanized tube to ensure maximum resistance. This door has an easy opening system composed of a tab in the upper door frame. The position of the lever improves the ergonomics of the farmer when opening and closing the door.



150 CM TUBE GATE FOR PENS

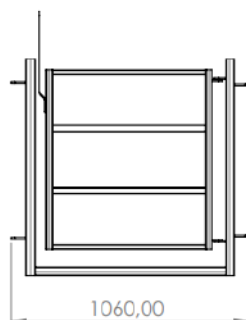
FO100079

1560 MM / 965 MM



Tube Ø 25 mm

08. FENCES



METAL SHEET GATE FOR PENS

FO100044

1060 MM / 40 MM

Access door to the corral made of hot-dip galvanized sheet. It has an automatic closure system by gravity.



The union with the fold is made through a hot-dip galvanized iron rod.

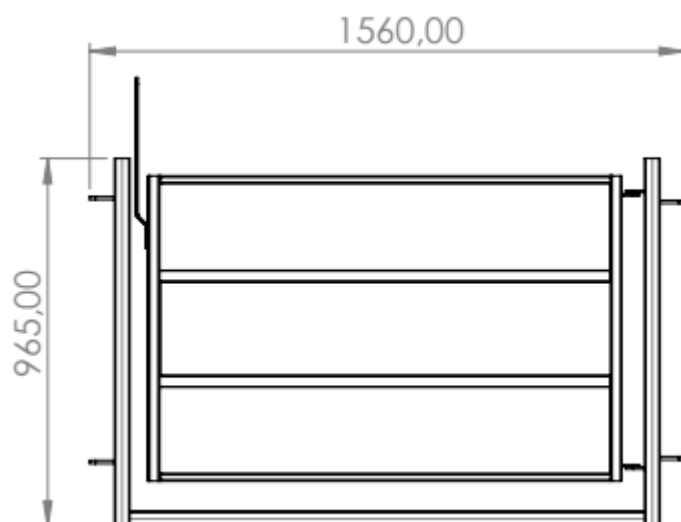
METAL SHEET GATE FOR PENS

FO100080

1560 MM / 965 MM



Square tube 40x40 mm



50 CM WIDER MODEL

08. FENCES

F-1400 FENCE

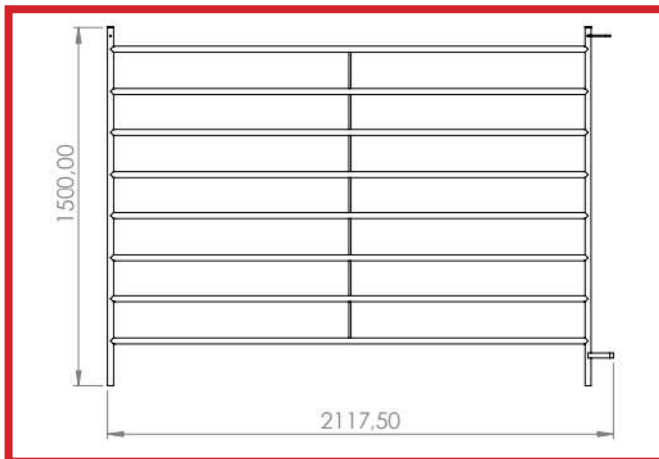
F0100045

2117,50 MM / 1500 MM

It is a fence with a height of 1410mm made of hot-dip galvanized tube.

It is perfect to surround sheep and goats with their respective young.

The distance between tubes decreases as the height goes down, precisely so that the lambs and goat lings cannot escape.



THE FOLDS ARE JOINED THROUGH HOT-DIP GALVANIZED STEEL ROD

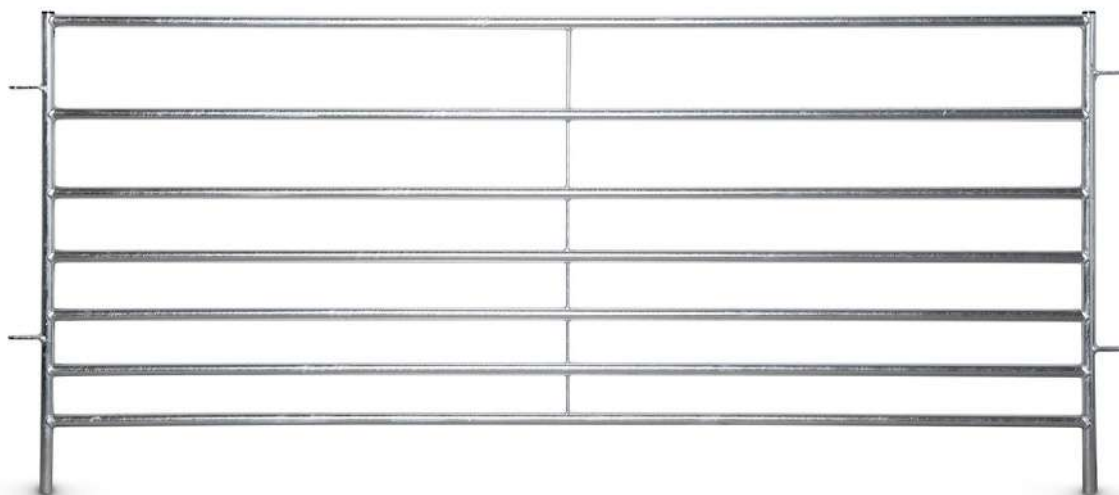
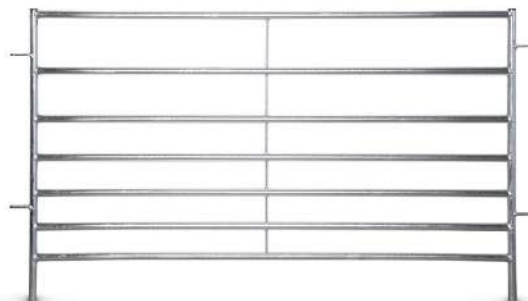
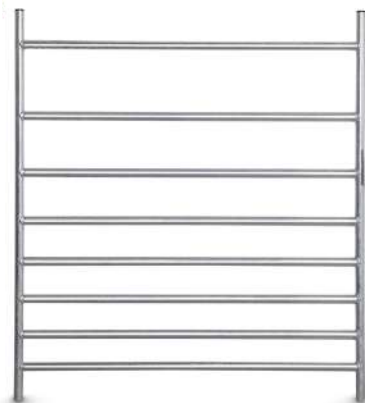
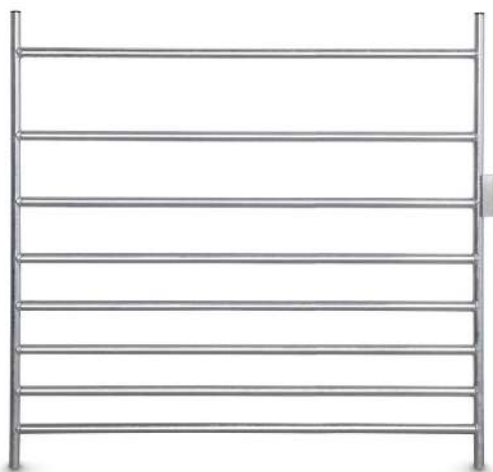


08. FENCES

F-900 FENCE

It is one of the most popular fences in our catalog, with a height of 900mm and made of hot-dip galvanized tube. It is perfect to surround sheep and goats with their respective young. It has a peculiarity, since the distance between tubes decreases as it goes down in height, precisely so that the lambs and goat lings cannot escape.

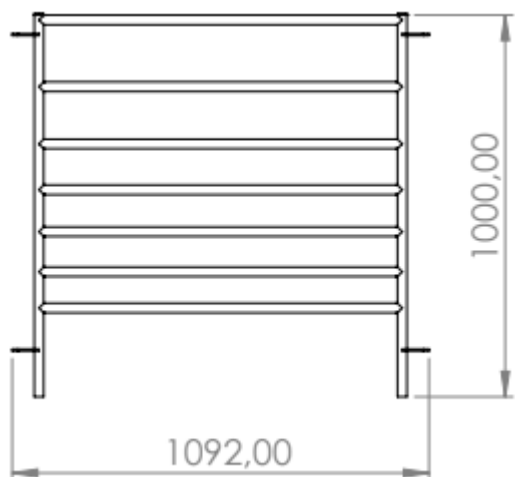
THE FOLDS ARE JOINED THROUGH HOT-DIP GALVANIZED STEEL ROD



08. FENCES

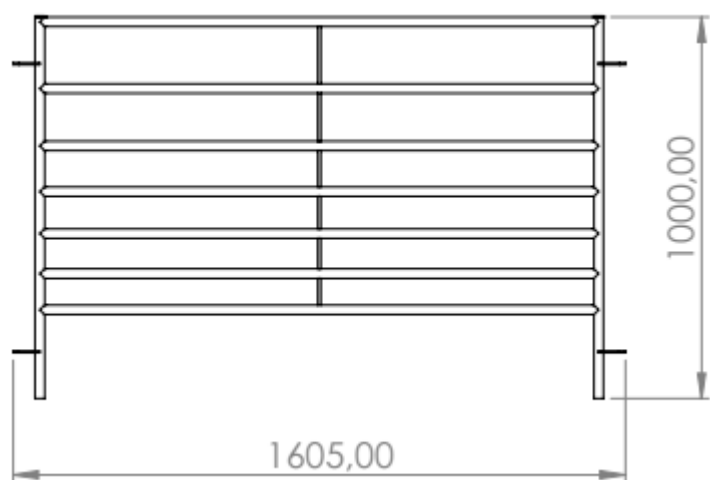
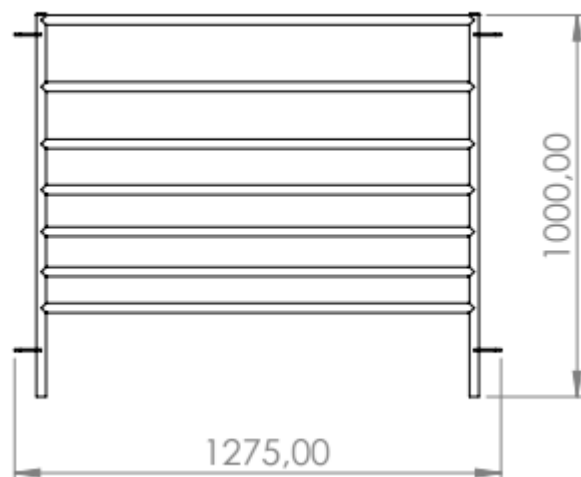
FO100046

1092 MM / 1000 MM



FO100047

1275 MM / 1000 MM

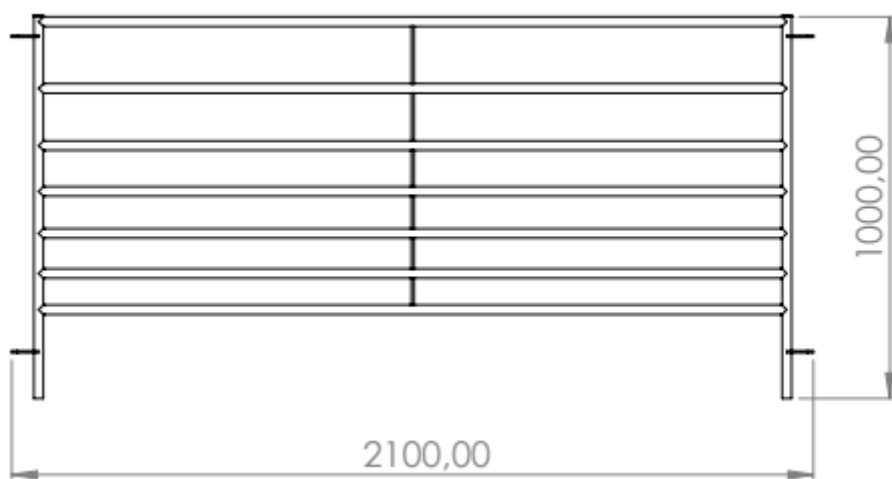


FO100048

1605 MM / 1000 MM

FO100049

2100 MM / 1000 MM



08. FENCES

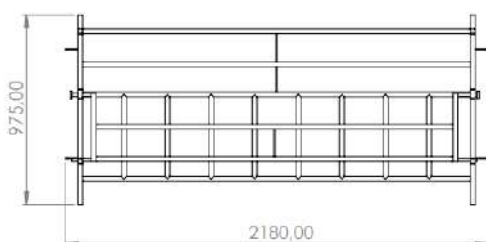
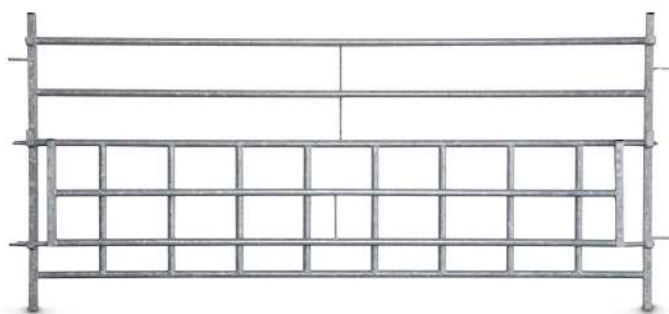
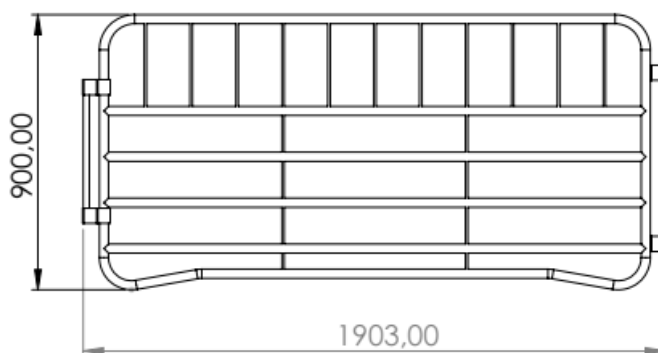
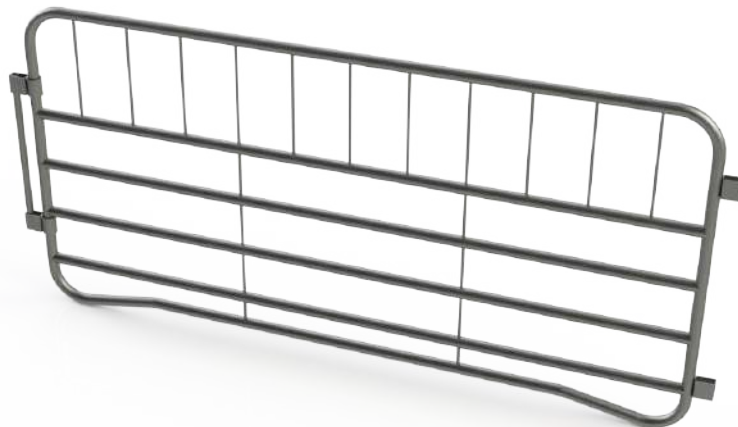
M-400 TOWING FENCE

FD100051

1903 MM / 900 MM

Fence made of hot-dip galvanized iron with a tube thickness that increases its resistance to shocks. Ideal for composing chutes to guide the sheep to a certain place. This fence is suitable for sheep, since the passage is narrow enough not to allow them to escape through any of the holes.

It has a 180° hinge that allows the entire chute to be folded when transporting it in the M-4000 trailer, without having to disassemble it, so the farmer or veterinarian saves time and money in this assembly and disassembly process; which are usually many at the end of the week.



P-900 PASS FENCE FOR LAMBS

FD100050

2180 MM / 900 MM

This fence is ideal for fencing in sheep, allowing the lambs to enter and exit the enclosure. This fence also has a system to close the access to the lambs if necessary.

This fence is made of the highest quality hot-dip galvanized.

OUR FARMS



OUR FARMS





THE ART OF MANUFACTURING



Ormi Group

01. DRINKERS

02. FORAGE RACKS

03. HOPPERS

04. FENCES AND GATES

05. CATTLE GRIDS

06. CHUTES

07. CALF BOXES AND CUBICLES

01. DRINKERS

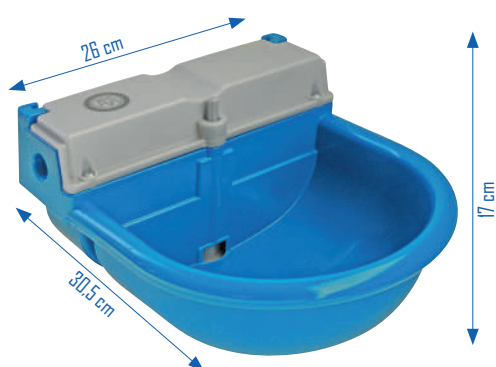
SYSTEM PLUS AUTOMATIC DRINKER

Made of food-grade plastic, to operate it must be connected to the water main, plastic valve + float to regulate the water flow, equipped with specific tank and drain valve to ensure clean water. It can be fixed to the wall, corrals and similar. Equipped with specific brackets to fix to posts. Ideal solution for sheep, cows, horses and farm animals in general.



SYSTEM PLUS 4L

2146A0000



SYSTEM PLUS 6L

2147A0000



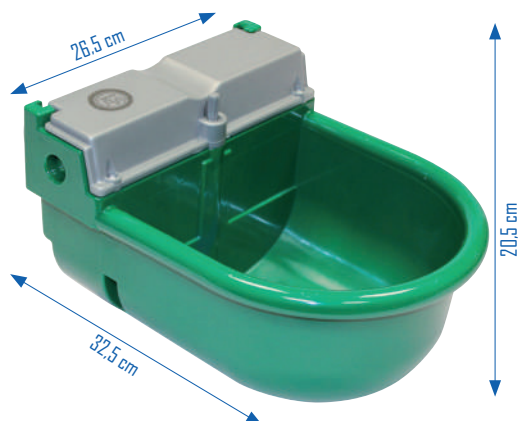
SYSTEM PLUS PREMIUM 4L

2158A0000



SYSTEM PLUS PREMIUM 6L

2159A0000



01. DRINKERS

DRINKERS WITH WALL BRACKET AND FOR CONCRETE SUPPORT

EASY ACCESS TO THE VALVE

MADE OF STAINLESS STEEL



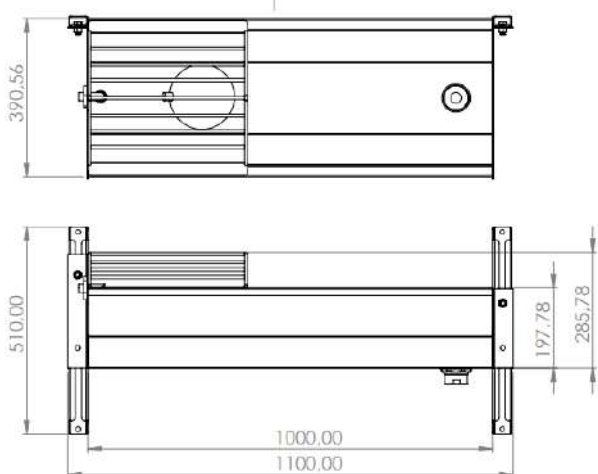
Possibility to install on the wall.
It has an overrun system to prevent overflow inside the corral.



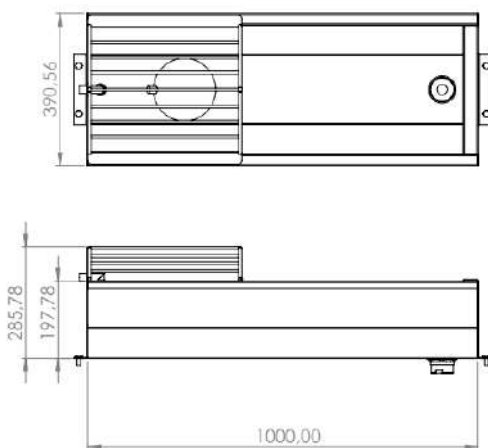
01. DRINKERS



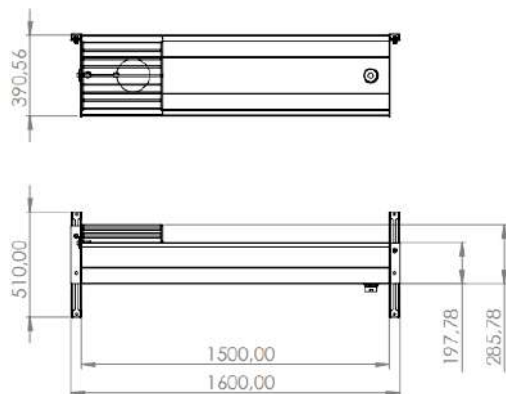
1 METER WALL BRACKET
F0500002



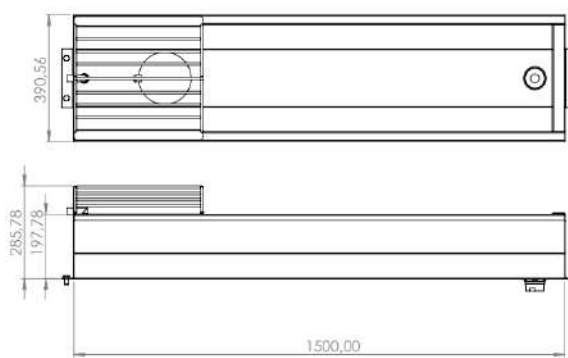
CONCRETE SUPPORT BRACKET **1 METER**
F0500001



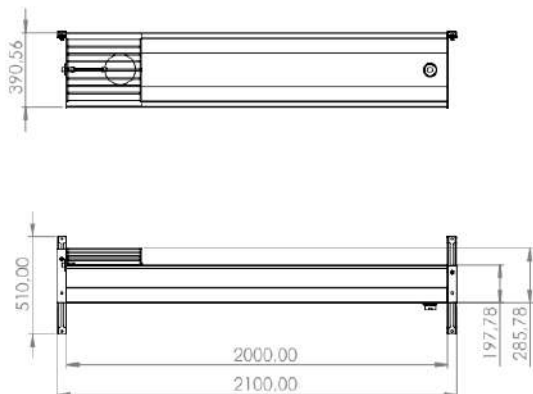
1,5 METERS WALL BRACKET
F0500027



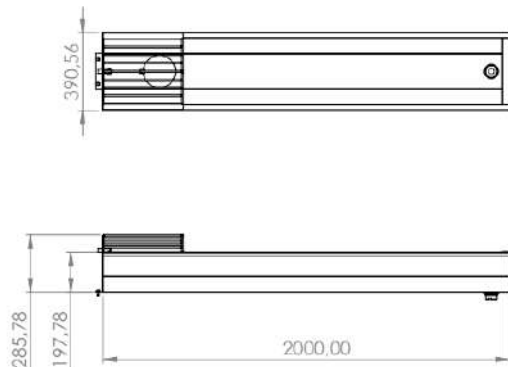
CONCRETE SUPPORT BRACKET **1,5 METERS**
F0500025



2 METERS WALL BRACKET
F0500028



CONCRETE SUPPORT BRACKET **2 METERS**
F0500026



01. DRINKERS



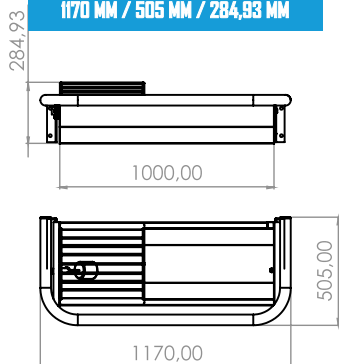
TILTING WALL DRINKER

Made of stainless steel. Buoy of 3/4. It can be turned upside down for quick cleaning of the trough. Suitable for calf fattening and dairy farms. Incorporates tube protection. Prevents animals from touching the drinker and suffering damage.



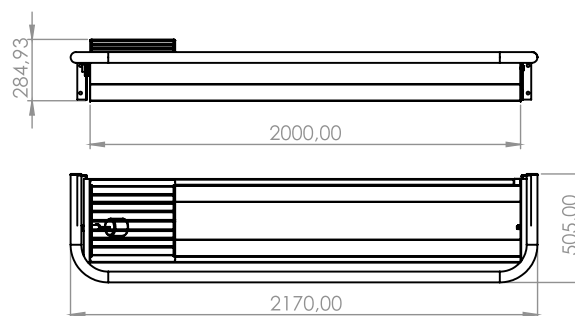
F0500096

1170 MM / 505 MM / 284,93 MM



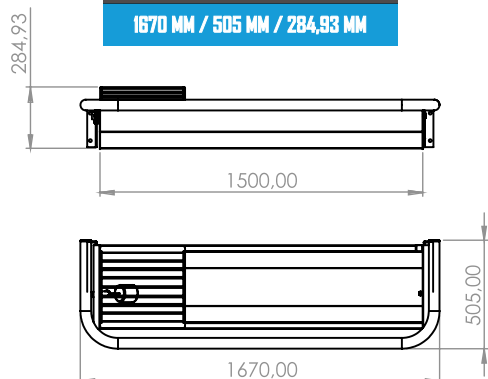
F0500097

2170 MM / 505 MM / 284,93 MM



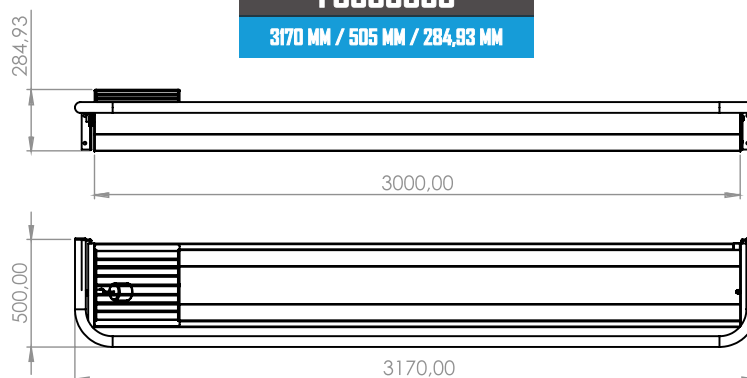
F0500030

1670 MM / 505 MM / 284,93 MM



F0500098

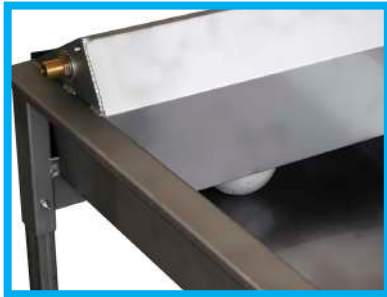
3170 MM / 505 MM / 284,93 MM



01. DRINKERS

LARGE CAPACITY DRINKER

STAINLESS STEEL OR GALVANIZED METAL SHEET



Hinged lid to make regulation and cleaning easier.

Our valve has a high - flow system to fill the drinker in a fast way when several animals are drinking at the same time.



It includes a plug to make cleaning easier.



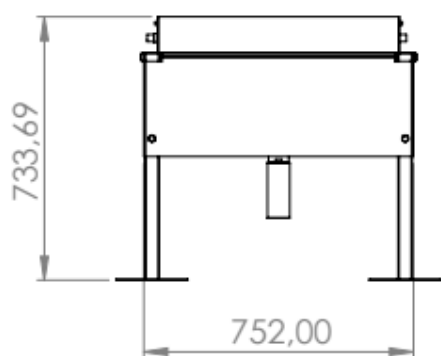
01. DRINKERS



990 MM / 752 MM / 733,69 MM

STAINLESS STEEL DRINKERS

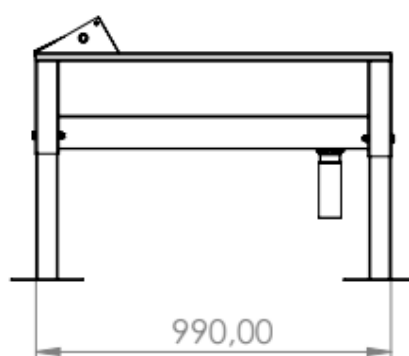
FO100009



990 MM / 752 MM / 733,69 MM

GALVANIZED SHEET METAL DRINKERS

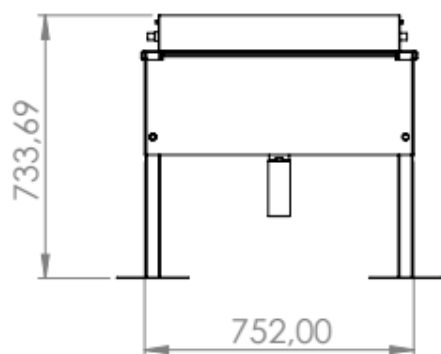
FO100012



1990 MM / 752 MM / 733,69 MM

STAINLESS STEEL DRINKERS

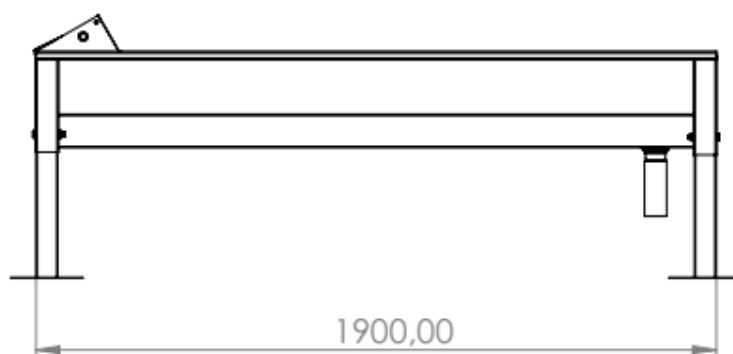
FO100010



1990 MM / 752 MM / 733,69 MM

GALVANIZED SHEET METAL DRINKERS

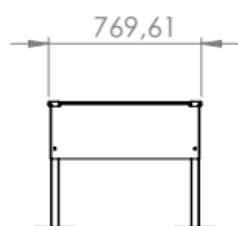
FO100013



2904 MM / 769,61 MM / 633,5 MM

STAINLESS STEEL DRINKERS

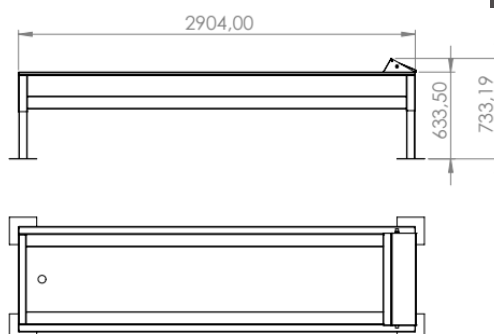
FO100088



2904 MM / 769,61 MM / 633,5 MM

GALVANIZED SHEET METAL DRINKERS

FO100089



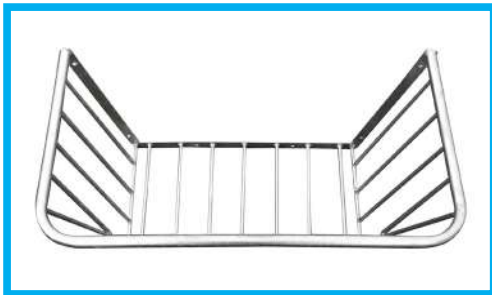
02. FORAGE RACKS

RECTANGULAR FORAGE RACK FOR HORSES



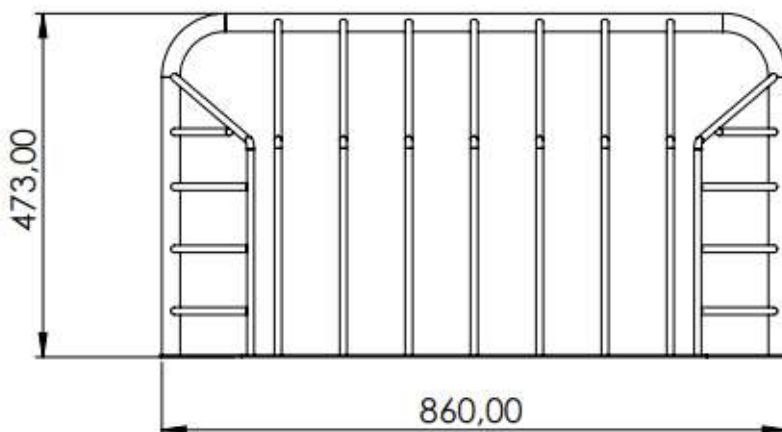
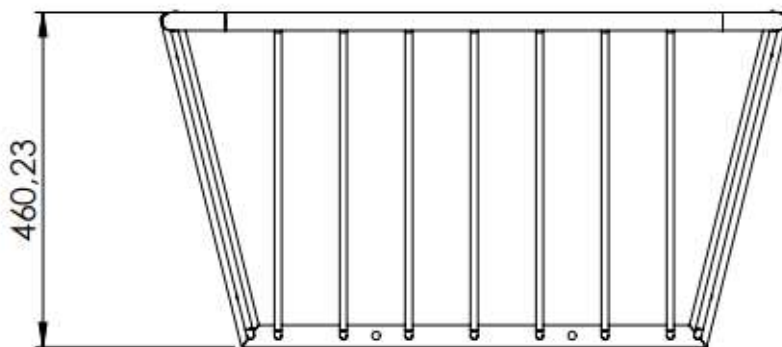
F0500029

860 MM / 473 MM / 460,23 MM



Hot-dip galvanized. Reinforced rod, ensuring the shock resistance.

It can be fixed on a concrete wall or wood box.



02. FORAGE RACKS

TRAILER WITH ROOF

F0500003

2961,45 MM / 2337,8 MM / 2636,35 MM

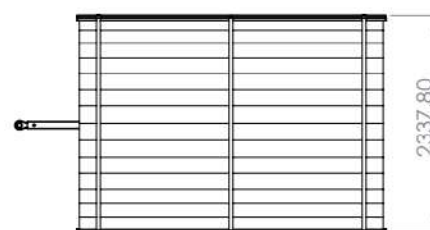
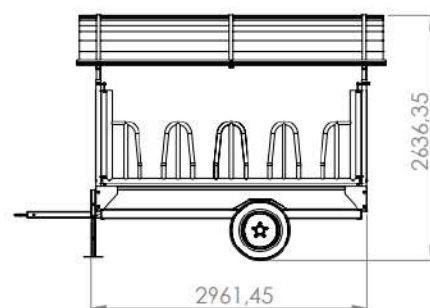
Officially approved according the EU regulations.



It can be opened from all sides.



Adjustable feet to level the trailer on any surface.



02. FORAGE RACKS

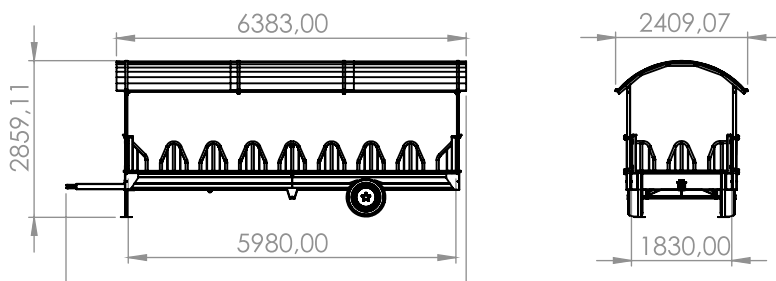


F0500099

6383 MM / 2409 MM / 2859,11 MM

CATTLE FEED TRAILER

The tray is made of galvanized sheet metal, with the option of manufacturing it in stainless steel. The structure of the trough is hot dip galvanized. Parking brake incorporated. Removable lance.



02. FORAGE RACKS

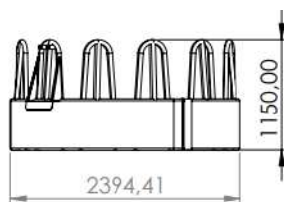
ROUND FORAGE RACK WITH 12 SECTIONS

F0500008

Ø 2487,8 MM / 1150 MM



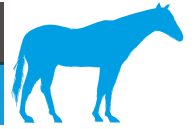
Composed of 3 pieces. Made of hot-dip galvanized metal sheet.



ROUND FORAGE RACK WITH PANELS 12 SECTIONS

F0500081

Ø 2487,8 MM / 1150 MM



Bracket to easy transportation.



02. FORAGE RACKS

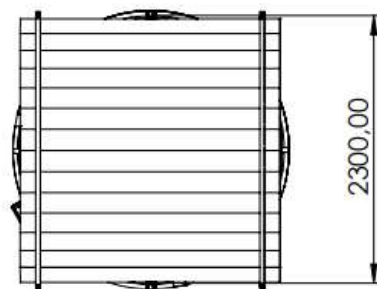
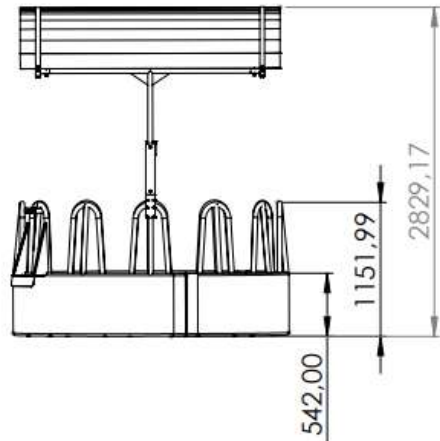
ROUND FORAGE RACK WITH ROOF

F0500035

2300 MM / 2829 MM



It has an attachment to install a roof



02. FORAGE RACKS

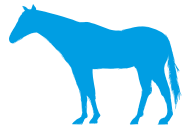
ROUND FORAGE RACK WITH 16 SECTIONS

F0500009

3699 MM / 2086,6 MM / 1151,99 MM

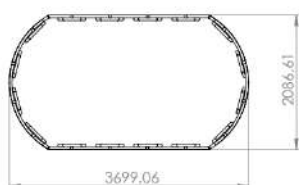
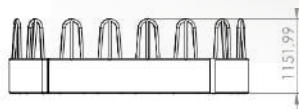
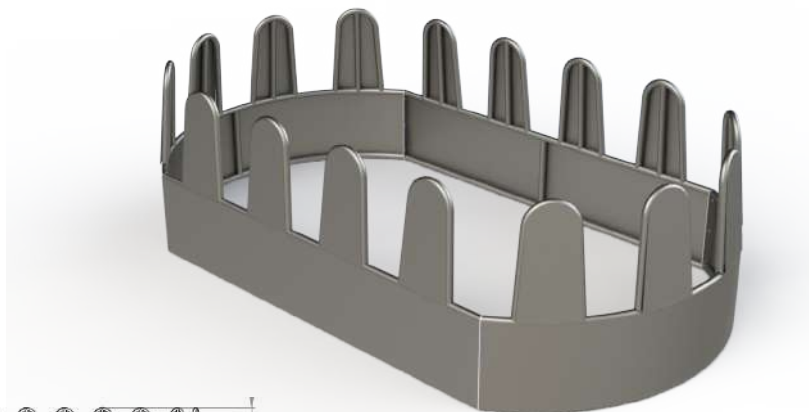


PANELED ROUND FORAGE RACK WITH 16 SECTIONS



F0500082

3699 MM / 2086,6 MM / 1151,99 MM



It is comprised of four pieces.

Made of hot-dip galvanized metal sheet.

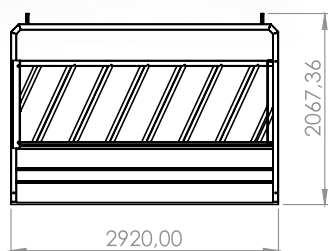
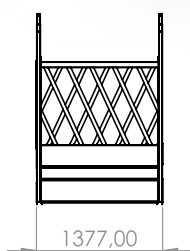
02. FORAGE RACKS

DOUBLE-SIDED CALF FEEDER FOR FATTENING CALVES

Manufactured in hot-dipped galvanized sheet metal, with a large forage loading capacity. It is designed to facilitate the loading of feed to the farmer, through a large side gate. It has 22 access places, these are inclined so that the animals waste as little feed as possible. It can be disassembled in pieces for easy transport. We also include the option of installing a roof that allows it to be placed outdoors.

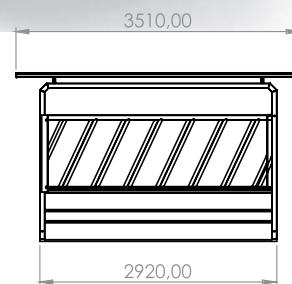
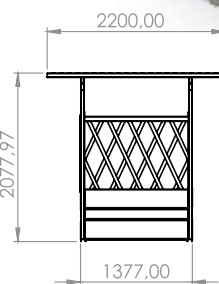
F0500100

2920 MM / 1377 MM / 2067,36 MM



F0500101

3510 MM / 2200 MM / 2077,97 MM

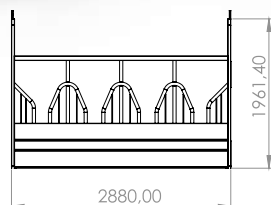
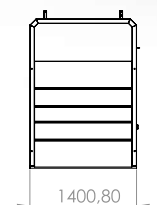


SINGLE-SIDED FEEDING TROUGH FOR FATTENING CALVES AND ANIMALS WITH BIG HORN.

Made of hot-dipped galvanized sheet metal, with a large forage loading capacity. 4 spaces. Easy loading from the back. Can be purchased with roof for outdoors. Optional rear doors.

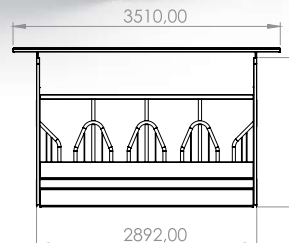
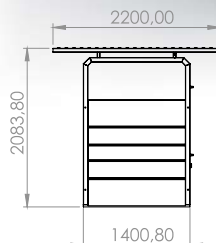
F0500102

2880 MM / 1400,8 MM / 1961,40 MM



F0500103

3510 MM / 2200 MM / 2083,80 MM



1961,40

02. FORAGE RACKS

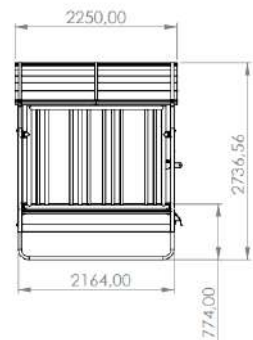
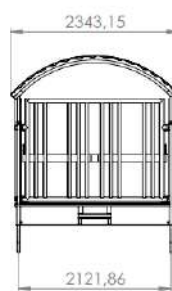
HORSES FORAGE RACK WITH ROOF

These sides are specially designed for horses, as the access to the fodder box prevents the horse from hitting the roof.



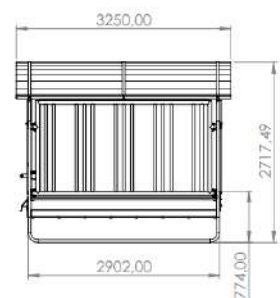
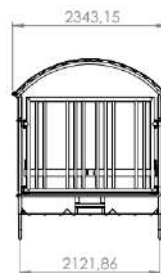
12 SPACES
F0500037

2250 MM / 2343,1 MM / 2736,6 MM



14 SPACES
F0500039

2343 MM / 3250 MM / 2717,5 MM

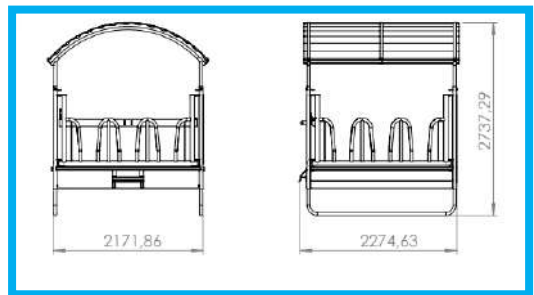


02. FORAGE RACKS

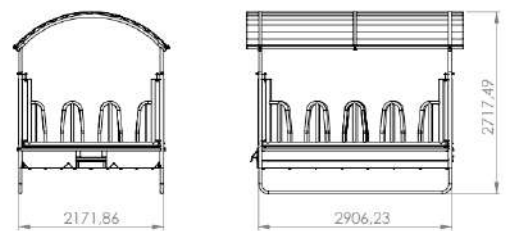
FORAGE RACK WITH ROOF



12 SPACES
F0500010
2171,8 MM / 2274,6 MM / 2737,3 MM



14 SPACES
F0500011
2171 MM / 2906 MM / 2717 MM



02. FORAGE RACKS

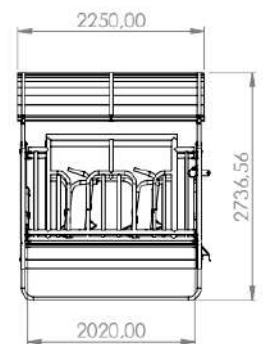
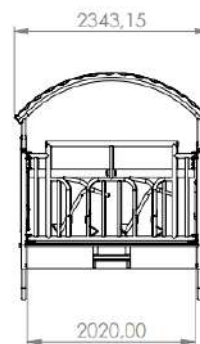
FORAGE RACK WITH ROOF AND HEADLOCK

The ties close individually and can be opened in the same way or collectively.



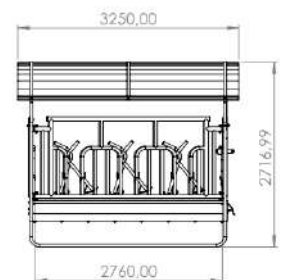
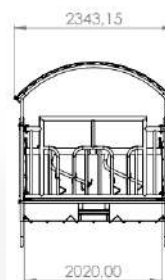
12 SPACES
F0500036

2343,1 MM / 2250 MM / 2736,6 MM



14 SPACES
F0500038

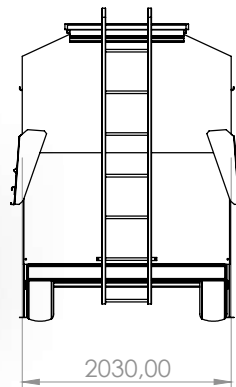
2020 MM / 3250 MM / 2717 MM



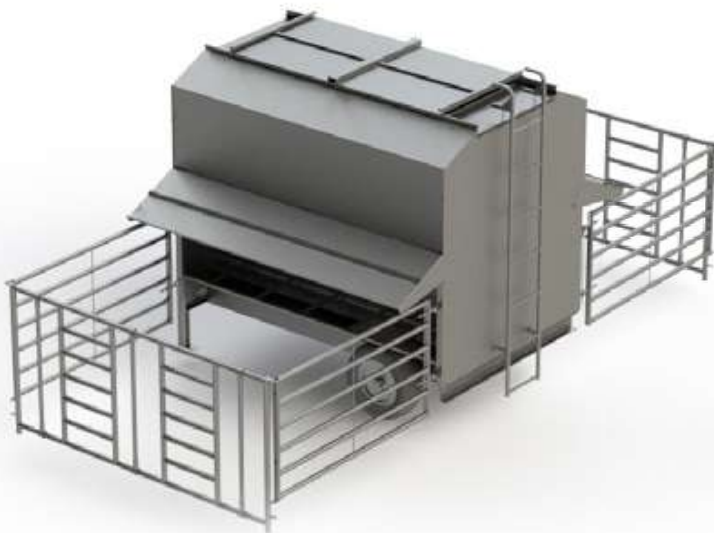
03. HOPPERS

CALF AND HORNED COW HOPPER / 2 SIDED

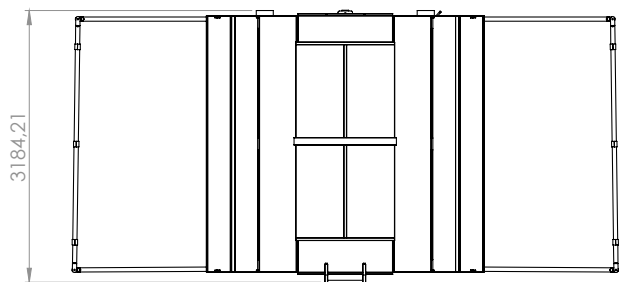
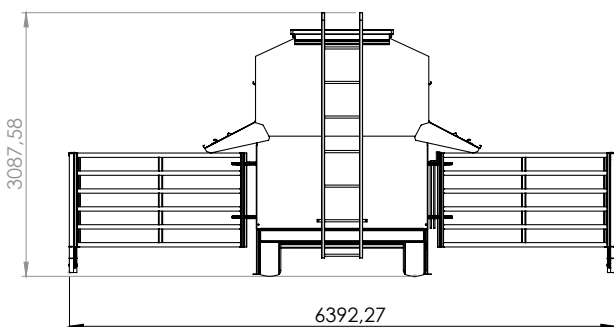
It has lateral flaps that prevent the entry of water into the feed tray, to facilitate its transport the fences are attached to the hopper, it has a capacity of approximately 6000 kg/m³.



F0500104
WITHOUT CORRAL
2030 MM / 3127 MM / 3063 MM



F0500105
WITH CORRAL
6392,3 MM / 3184,2 MM / 3088 MM



03. HOPPERS

LARGE CAPACITY HOPPER FOR CALVES WITH FENCE

F0500016

2305,7 MM / 3421 MM / 1575 MM

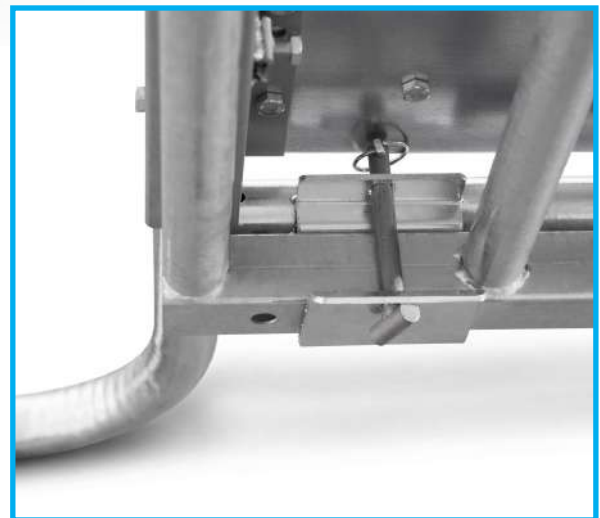
The fence has two access for calves to get into the hopper.

These two access can be regulated to control which animals get into depending on the size.

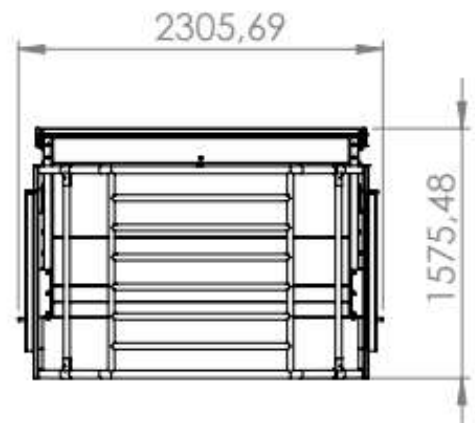
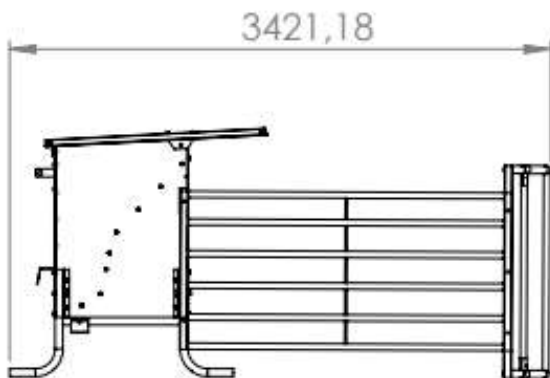
EASY OPENING



The fence can be raised to give open access.



It has skids on the base in order to be able to move it easily.



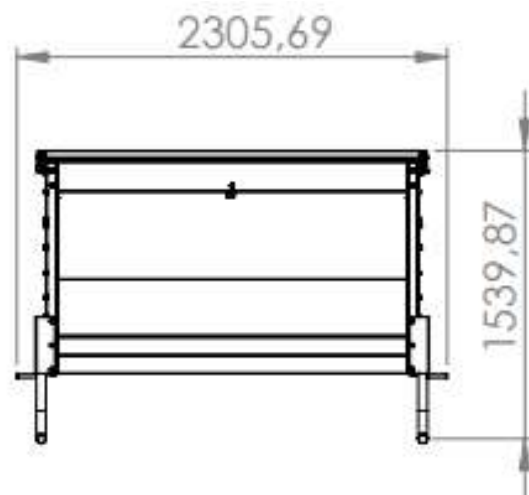
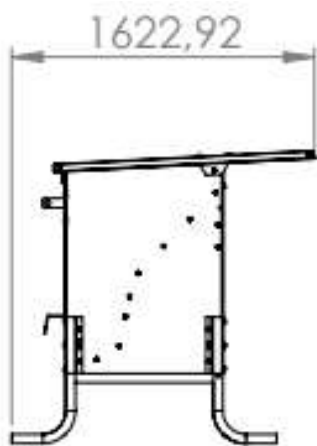
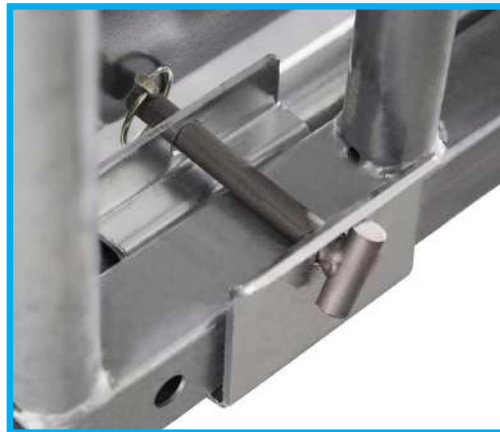
03. HOPPERS

CALVES LARGE CAPACITY HOPPER

All models have a system to adjust the feed height.

F0500017

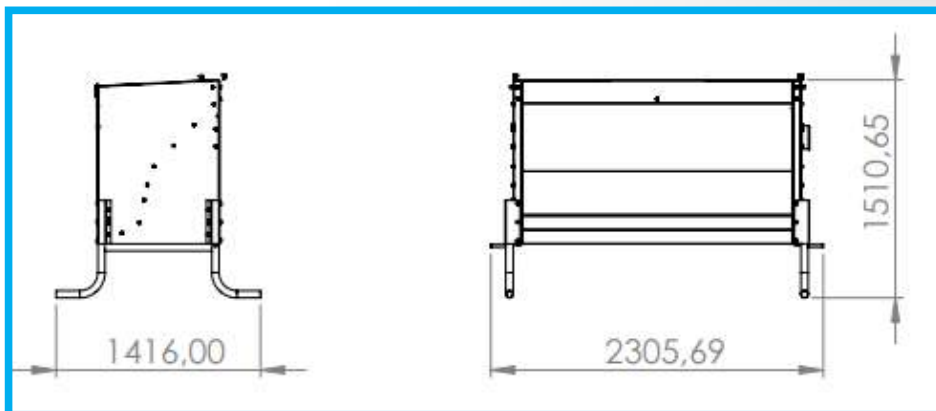
2305,7 MM / 1623 MM / 1540 MM



03. HOPPERS

CALVES HOPPER FOR INDOOR USE

It has a lid with holes to install the automatic feeding tubes in a livestock house.



F0500018

2305,7 MM / 1623 MM / 1540 MM



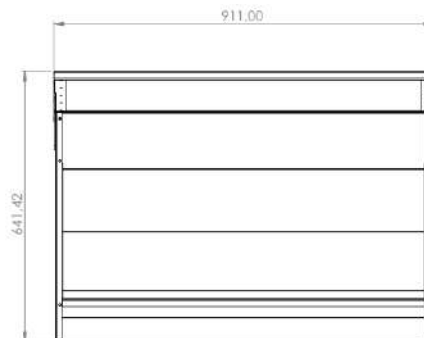
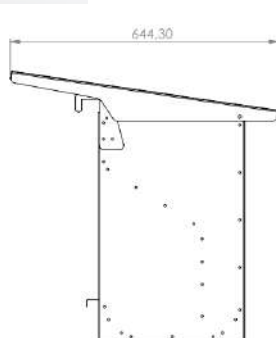
03. HOPPERS

HOPPER WITH CANOPY

This hopper is perfect for outdoor use. It has a hook to hang it on fences.

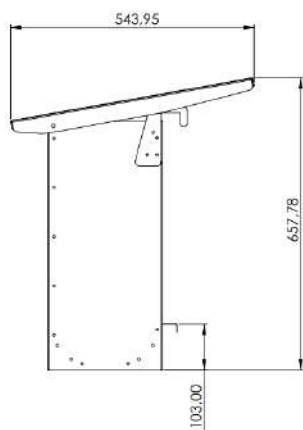
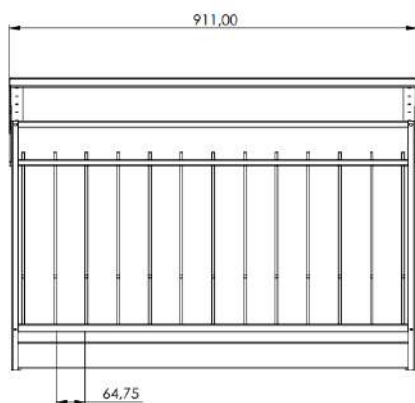


F0500033
FEED HOPPER
911 MM / 644 MM / 641 MM



F0500034
FORAGE HOPPER

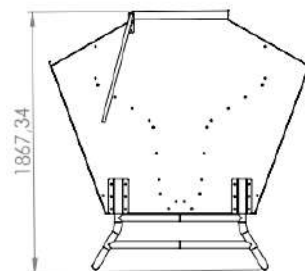
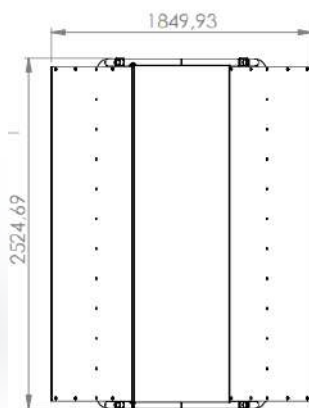
911 MM / 543 MM / 657 MM



03. HOPPERS

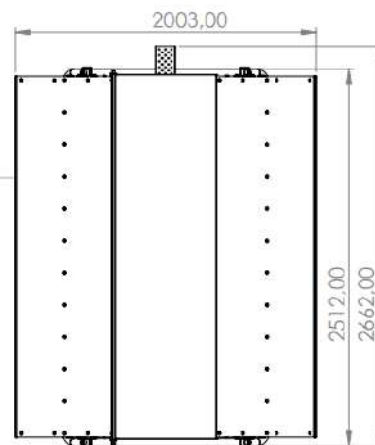
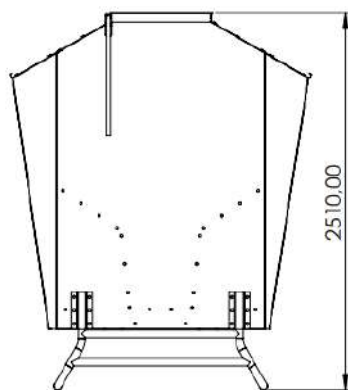
SPECIAL COW HOPPER

It has skids to be able to move it around the ground. It incorporates windows to check the feed level from outside. It has a regulation system to control the feed level that comes out of the hopper.



F0500024
1500 KG

1850 MM / 2524 MM / 1867 MM



F0500023
3000 KG

2003 MM / 2662 MM / 2510 MM

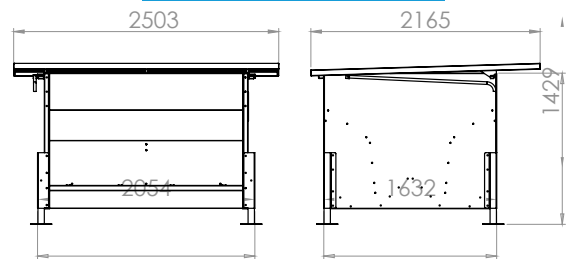
03. HOPPERS

DOUBLE-SIDED CALF HOPPER WITH ROOF

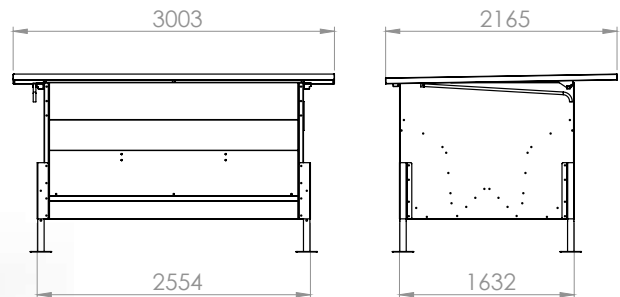
Hopper made of galvanized sheet metal and bolted for easy assembly and shipping, another advantage of the hopper is that it is bolted and not welded, it increases the useful life of the product, as well as its resistance, the legs of this hopper are adjustable, as well as the level of feed of the plate.



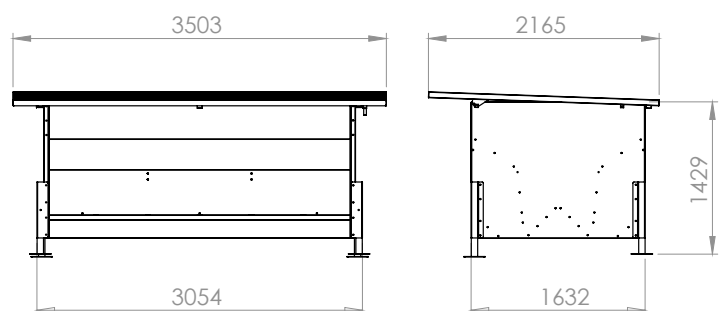
F0500106
USABLE VOLUME 3,2 M³
2503 MM / 2165 MM / 1429 MM



F0500107
USABLE VOLUME 4 M³
3003 MM / 2165 MM / 1429 MM



F0500108
USABLE VOLUME 4,8 M³
3503 MM / 2165 MM / 1429 MM



03. HOPPERS

LARGE CAPACITY CALF HOPPER WITH ROOF / TWO-SIDED. SUPPLEMENTED

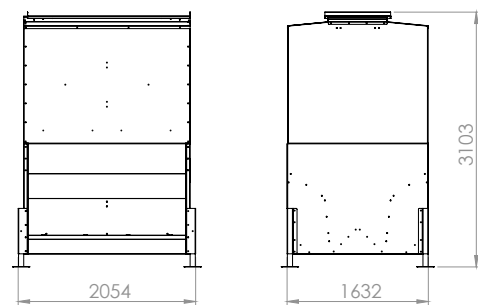
Hopper made of galvanized sheet metal and bolted for easy assembly and shipping, another advantage of the hopper is that it is bolted and not welded, it increases the useful life of the product, as well as its resistance, the legs of this hopper are adjustable, as well as the level of feed on the plate.



F0500109

USABLE VOLUME 7 M³

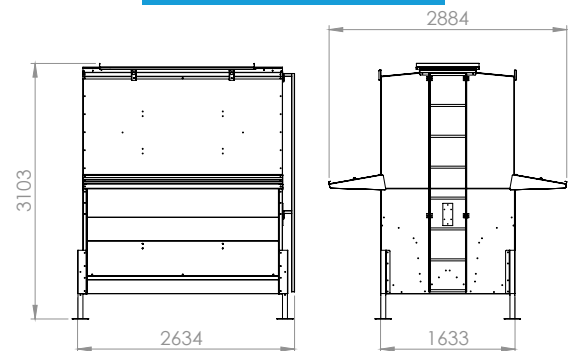
2054 MM / 1632 MM / 3103 MM



F0500110

USABLE VOLUME 8,7 M³

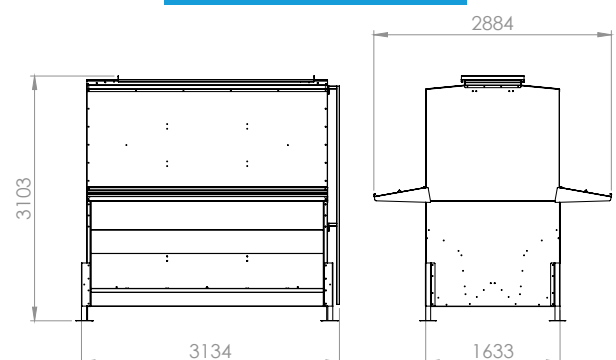
2884 MM / 2634 MM / 3103 MM



F0500111

USABLE VOLUME 10,5 M³

3134 MM / 2884 MM / 3103 MM



03. HOPPERS

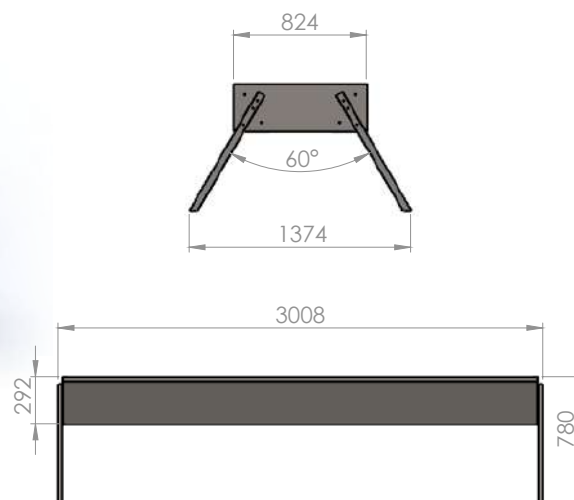
FEED TRAY

Manufactured in galvanized sheet metal. Manufactured by punching system. No welding. All assembly by means of screws. It gives greater duration and resistance to the set. They can be joined together. Assemble rows according to the customer's needs.

F0500079

750 MM

3008 MM / 1374 MM / 780 MM



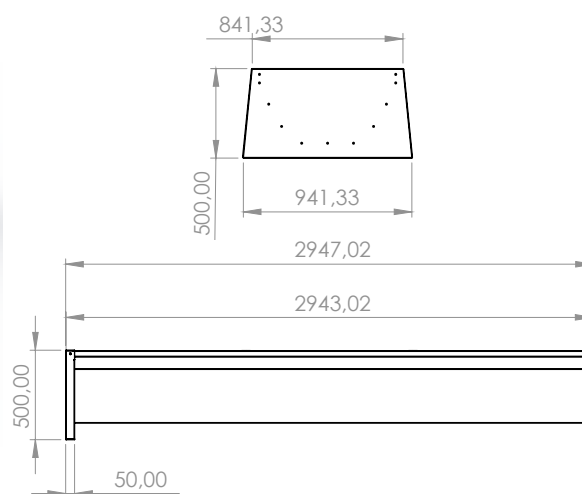
F0500080

900 MM

2947 MM / 941 MM / 500 MM



Includes crossbars for less food waste.

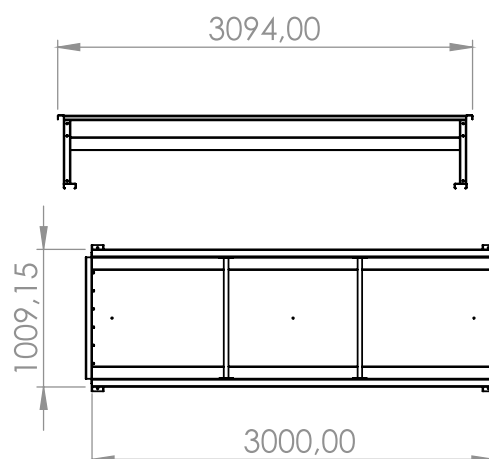


F0500112

3094 MM / 1009 MM



Includes crossbars for less food waste.



03. HOPPERS

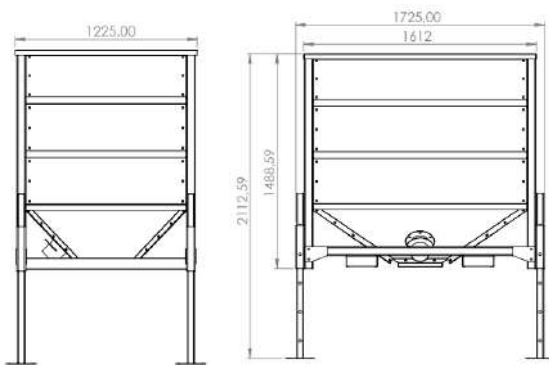
SILO HOPPER

It has skids on the base to move it easily.
It has a feed outlet that opens and closes by means of a lever.

F0500022

1,9 M³

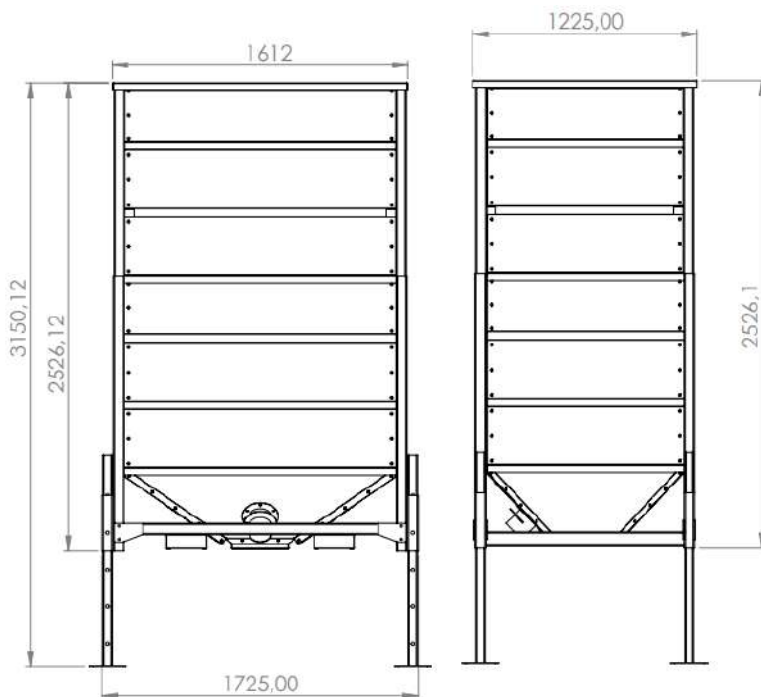
1725 MM / 1225 MM / 2112,6 MM



F0500021

3,6 M³

1725 MM / 1225 MM / 3150 MM



04. FENCES AND GATES

BOVINE FENCE

Made of 50x30 oval tubes. Hot dip galvanized. It is the best system to protect steel from corrosion. All the tubes are laser-embossed. It makes the joints more resistant and durable. They incorporate a central rod that crosses all the tubes. Increases the consistency of the fence. American chain jointing system used for clamping and fencing work.

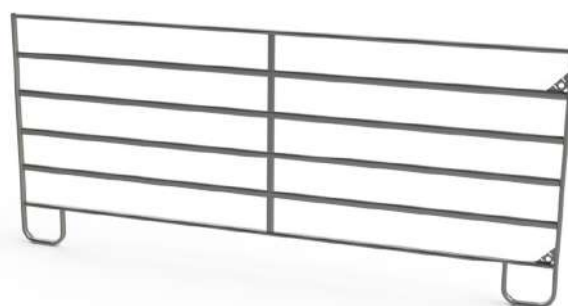
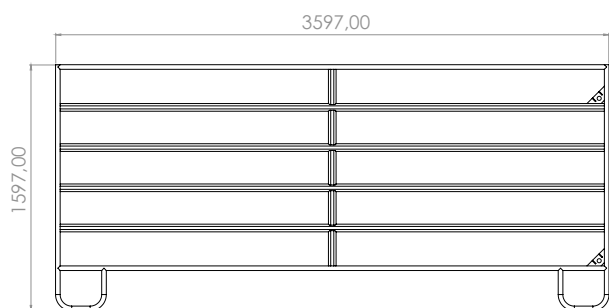


F0500083

3 METROS

F0500084

3597 MM / 1597 MM

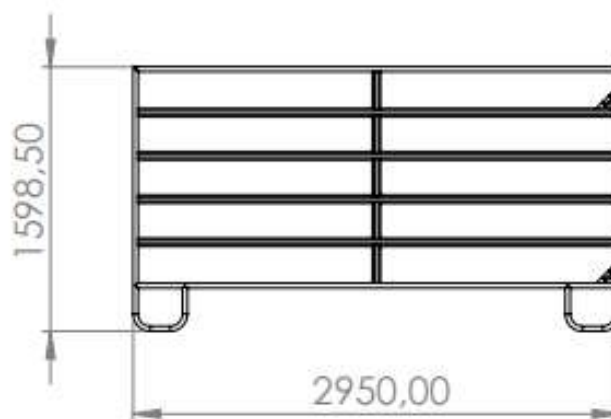
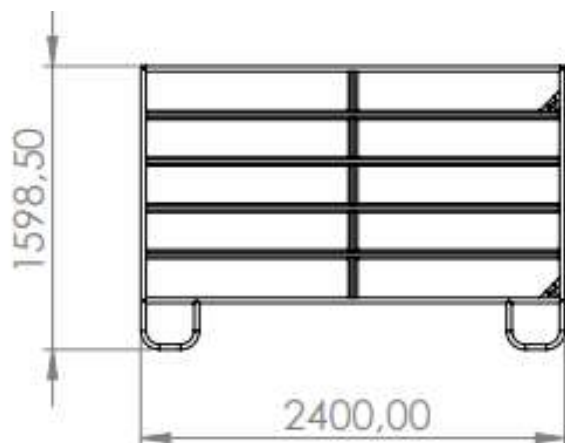


F0500019

2400 MM / 1598 MM

F0500020

2950 MM / 1598 MM



04. FENCES AND GATES

WIRE MESH BOX FOR CALVES



F0500031

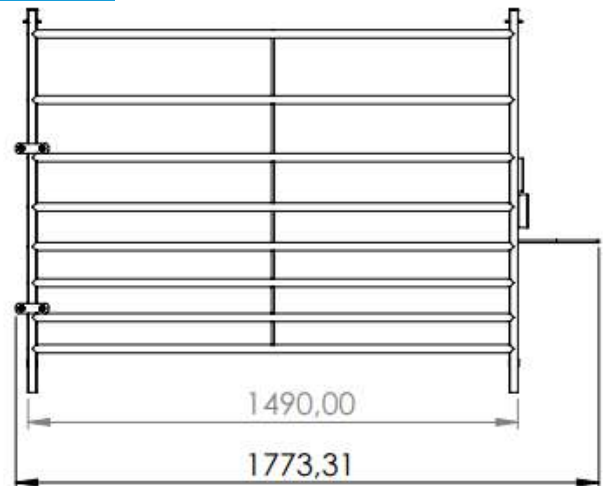
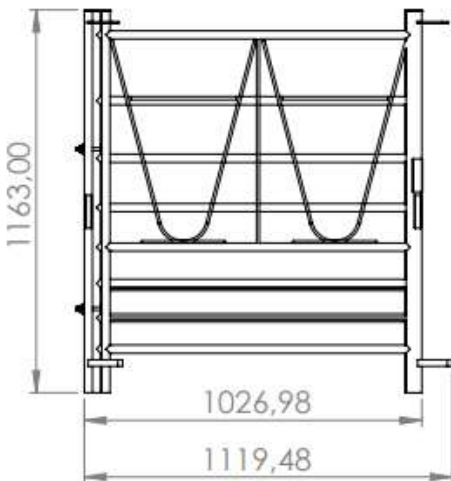


BARS BOX FOR CALVES



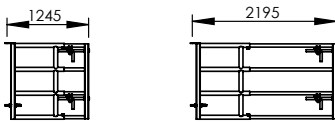
F0500032

1119 MM / 1490 MM / 1163 MM



04. FENCES AND GATES

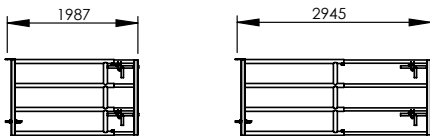
EXTENSIBLE GATES FAMILY 4 BARS OF 60 MM DIAMETER



Sin extender

Extendido

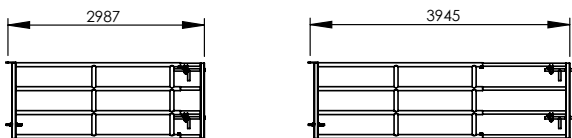
F0500040



Sin extender

Extendido

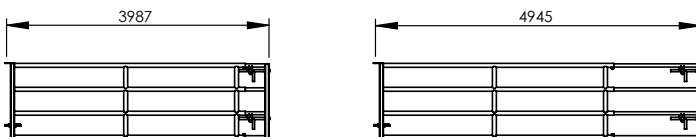
F0500041



Sin extender

Extendido

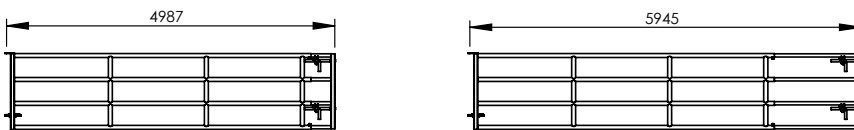
F0500042



Sin extender

Extendido

F0500043



Sin extender

Extendido

F0500044

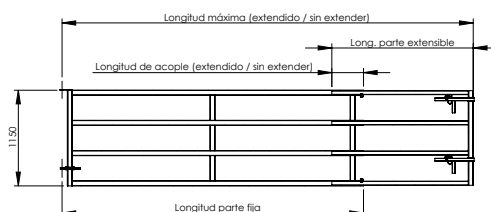
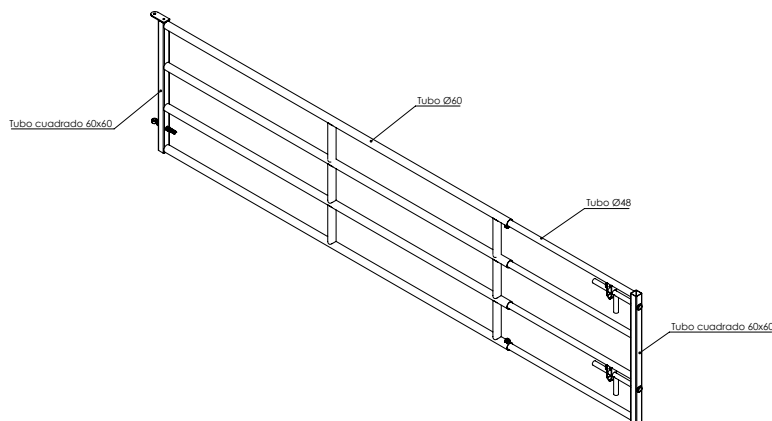


Sin extender

Extendido

F0500045

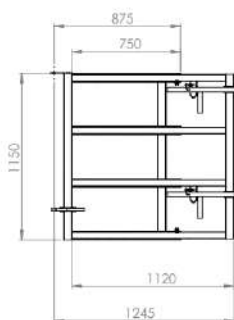
04. FENCES AND GATES



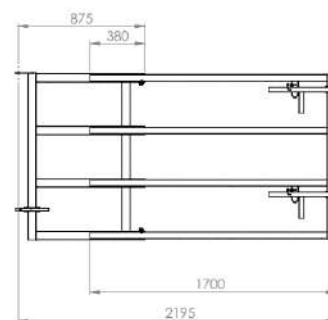
60 MM DIAMETER BARS

EXTENSIBLE PANEL GATE
WITH 4 BARS OF 2 METERS

F0500040



Sin extender



Extendido

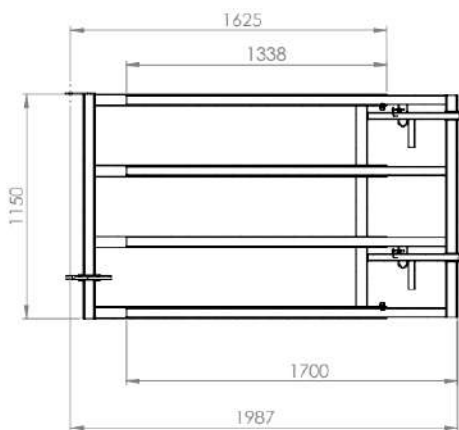
04. FENCES AND GATES

EXTENSIBLE PANEL GATE WITH 4 BARS OF 3 METERS

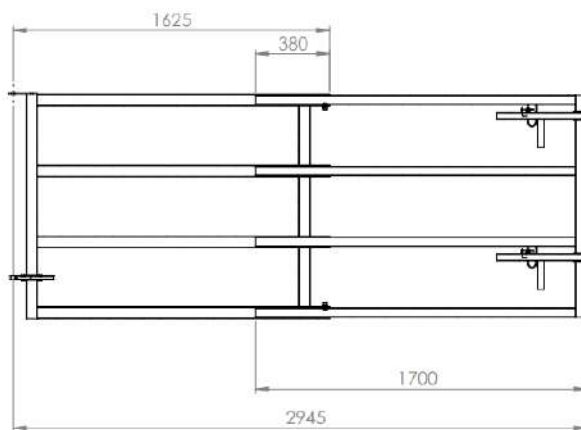
60 MM DIAMETER BARS



F0500041



Sin extender



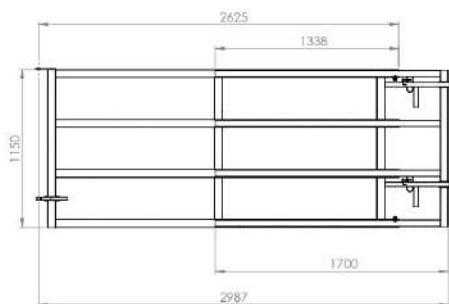
Extendido

EXTENSIBLE PANEL GATE WITH 4 BARS OF 4 METERS

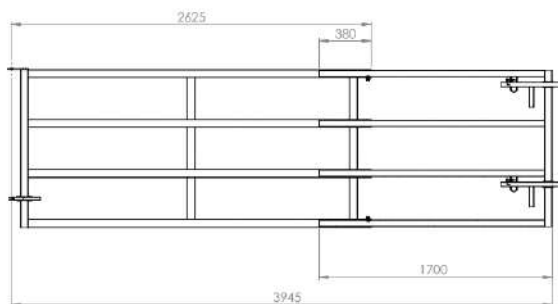
60 MM DIAMETER BARS



F0500042



Sin extender



Extendido

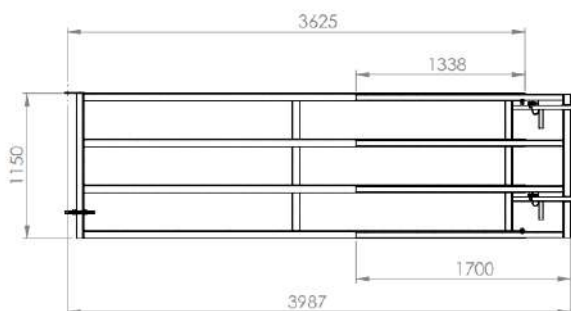
04. FENCES AND GATES

EXTENSIBLE PANEL GATE WITH 4 BARS OF 5 METERS

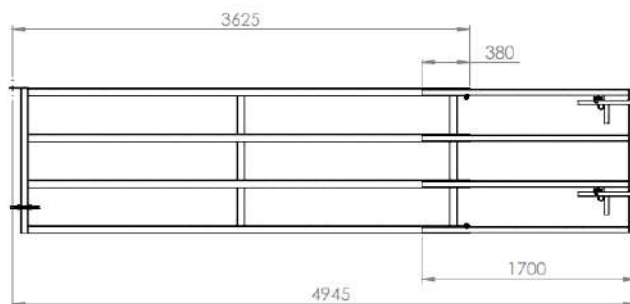
60 MM DIAMETER BARS



F0500043



Sin extender



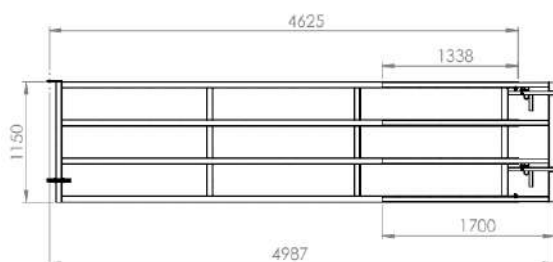
Extendido

EXTENSIBLE PANEL GATE WITH 4 BARS OF 6 METERS

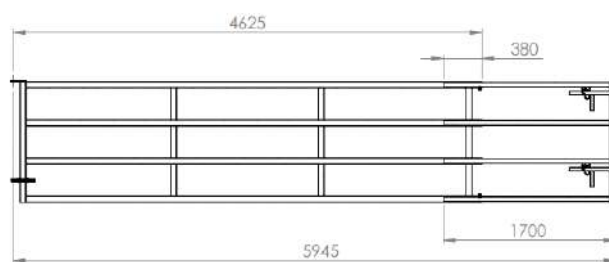
60 MM DIAMETER BARS



F0500044



Sin extender



Extendido

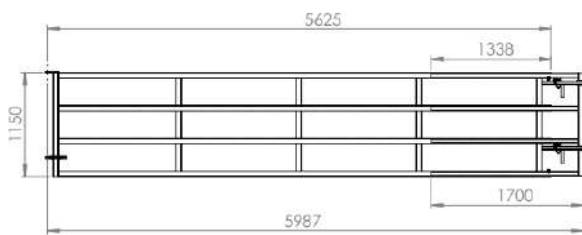
04. FENCES AND GATES

**EXTENSIBLE PANEL GATE WITH
4 BARS OF 7 METERS**

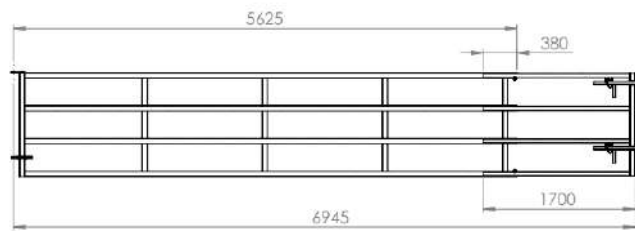
60 MM DIAMETER BARS



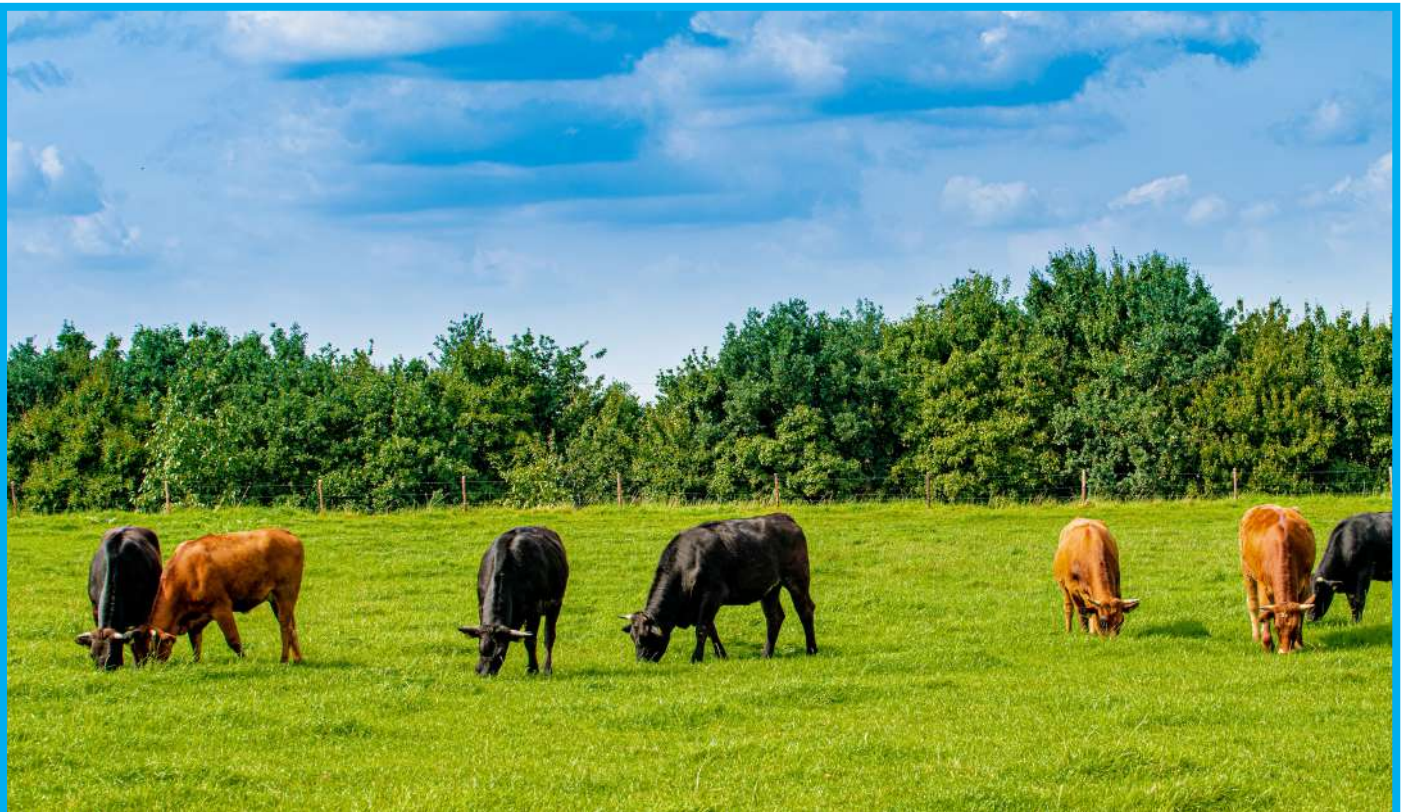
F0500045



Sin extender

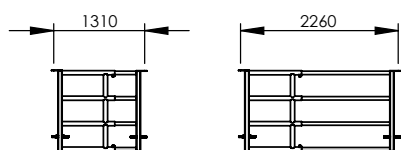


Extendido



04. FENCES AND GATES

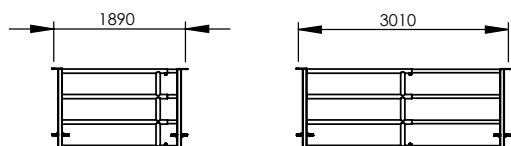
EXTENSIBLE PANEL FAMILY 60 MM DIAMETER BARS



Sin extender

Extendido

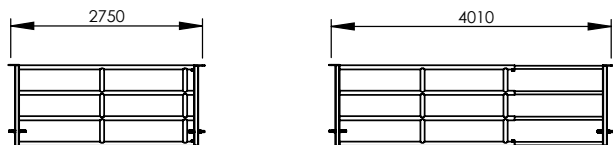
F0500047



Sin extender

Extendido

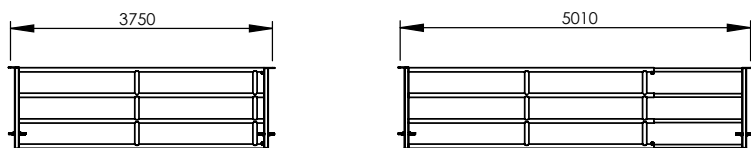
F0500048



Sin extender

Extendido

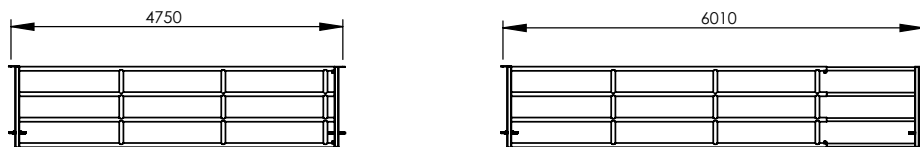
F0500049



Sin extender

Extendido

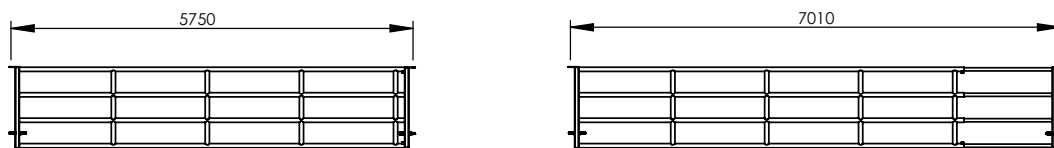
F0500050



Sin extender

Extendido

F0500051

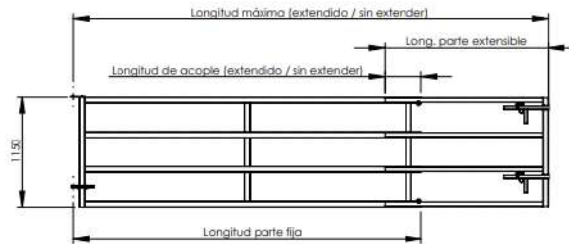
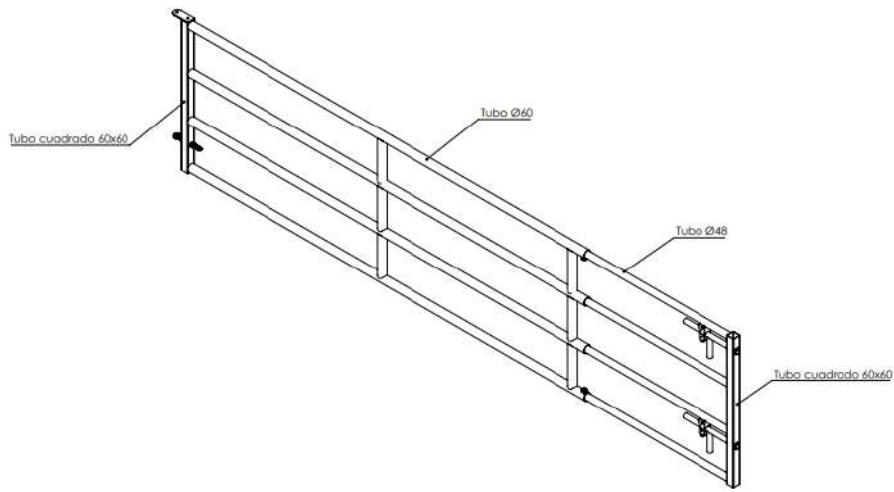


Sin extender

Extendido

F0500052

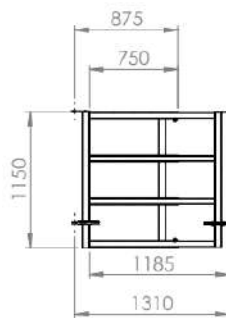
04. FENCES AND GATES



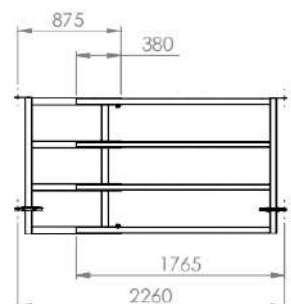
**EXTENSIBLE PANEL WITH
BARS OF 2 METERS**

F0500047

60 MM DIAMETER BAR



Sin extender



Extendido

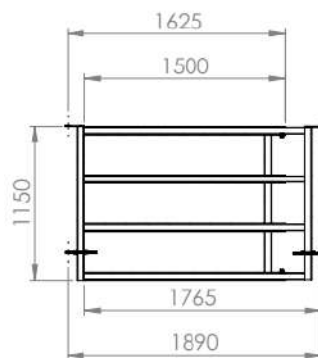
04. FENCES AND GATES

EXTENSIBLE PANEL WITH
4 BARS OF 3 METERS

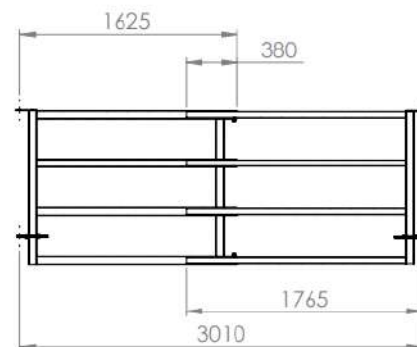
60 MM DIAMETER BARS



F0500048



Sin extender



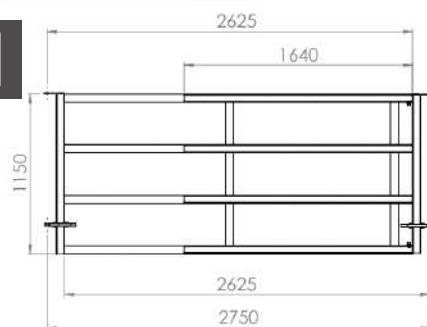
Extendido

EXTENSIBLE PANEL WITH
4 BARS OF 4 METERS

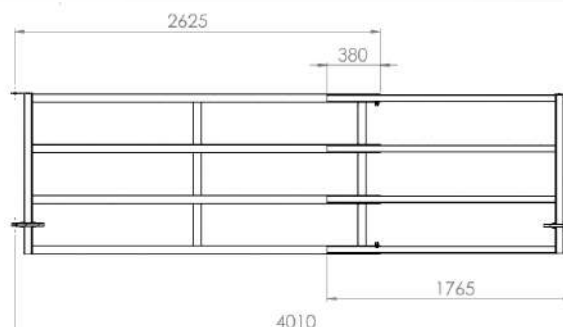
60 MM DIAMETER BARS



F0500049



Sin extender



Extendido

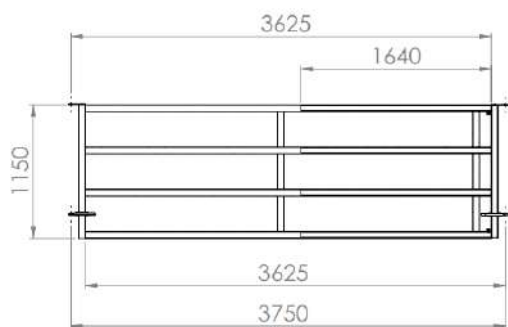
04. FENCES AND GATES

EXTENSIBLE PANEL WITH 4 BARS OF 5 METERS

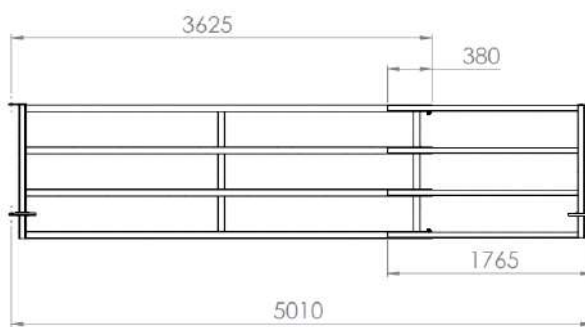
60 MM DIAMETER BARS



F0500050



Sin extender



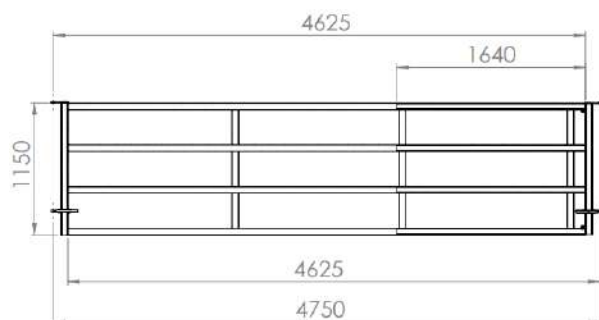
Extendido

EXTENSIBLE PANEL WITH 4 BARS OF 6 METERS

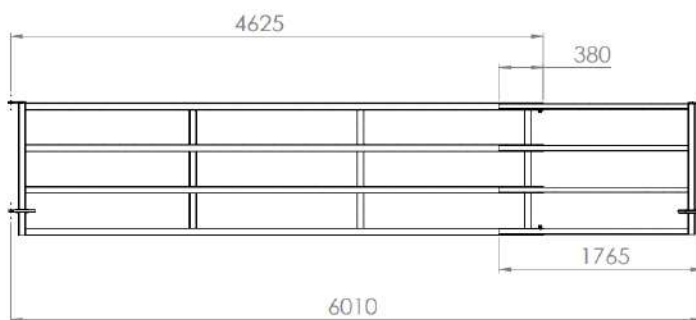
60 MM DIAMETER BARS



F0500051



Sin extender



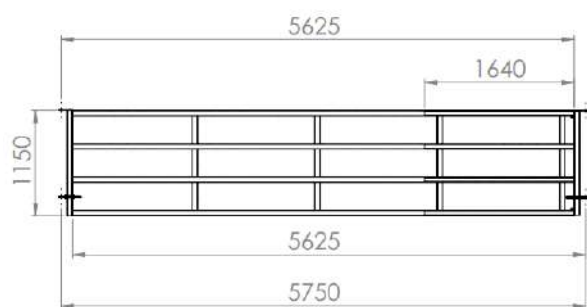
Extendido

04. FENCES AND GATES

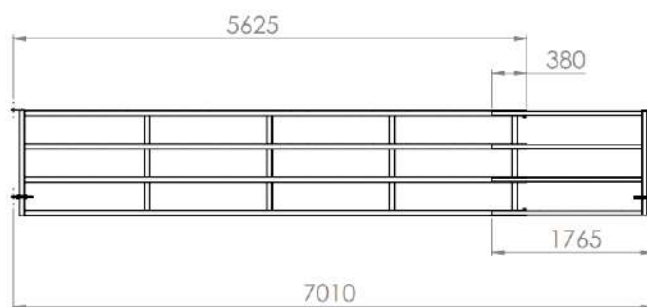
EXTENSIBLE PANEL WITH 4 BARS OF 7 METERS

60 MM DIAMETER BARS

F0500052



Sin extender

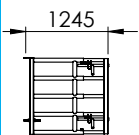
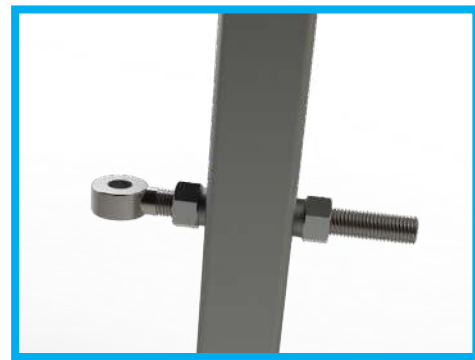
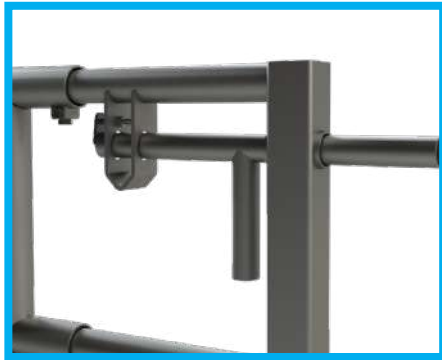


Extendido

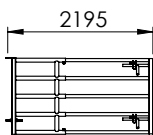


04. FENCES AND GATES

EXTENSIBLE GATES FAMILY 5 BARS OF 60 MM DIAMETER

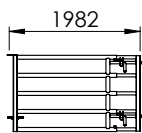


Sin extender

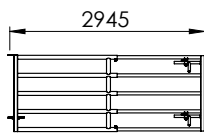


Extendido

F0500054

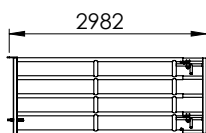


Sin extender

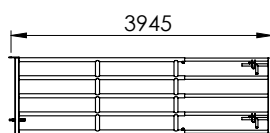


Extendido

F0500055

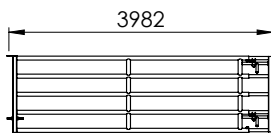


Sin extender

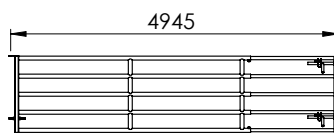


Extendido

F0500056

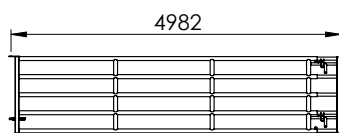


Sin extender

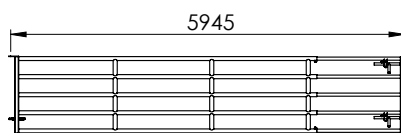


Extendido

F0500057

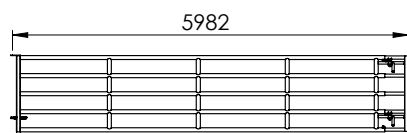


Sin extender

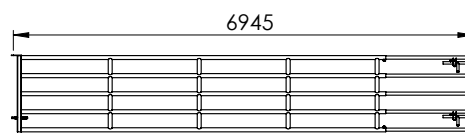


Extendido

F0500058



Sin extender



Extendido

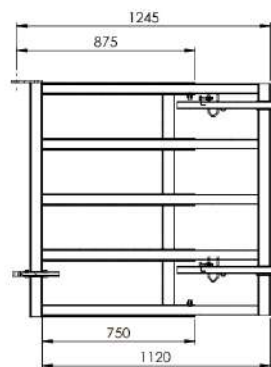
F0500059

04. FENCES AND GATES

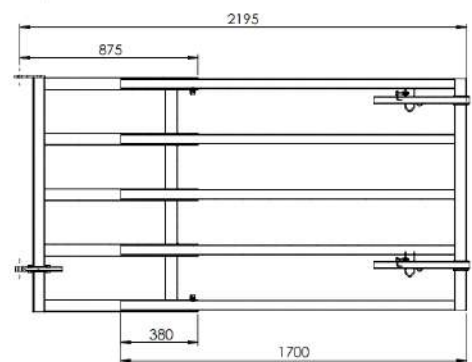


**EXTENSIBLE PANEL GATE WITH
5 BARS OF 2 METERS**

60 MM DIAMETER BARS



Sin extender

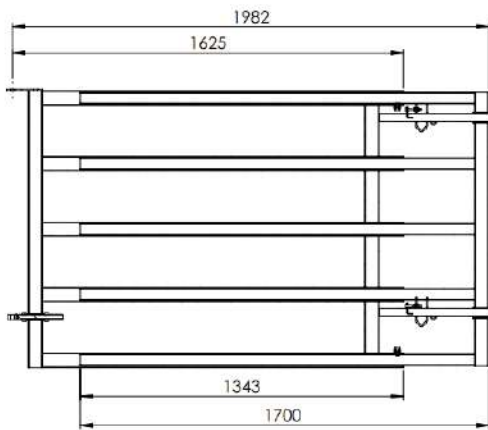


Extendido

F0500054

04. FENCES AND GATES

EXTENSIBLE PANEL GATE WITH 5 BARS OF 3 METERS

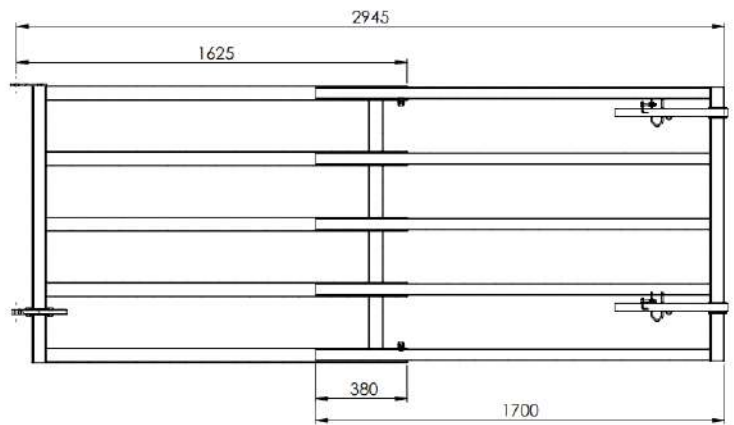


Sin extender



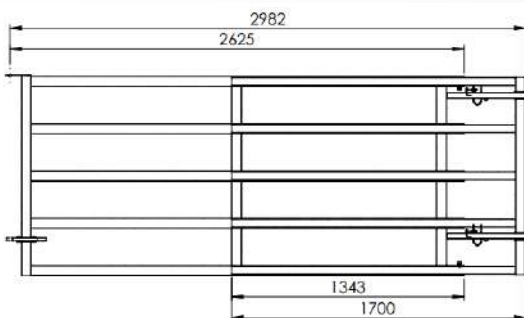
60 MM DIAMETER BARS

F0500055



Extendido

EXTENSIBLE PANEL GATE WITH 5 BARS OF 4 METERS

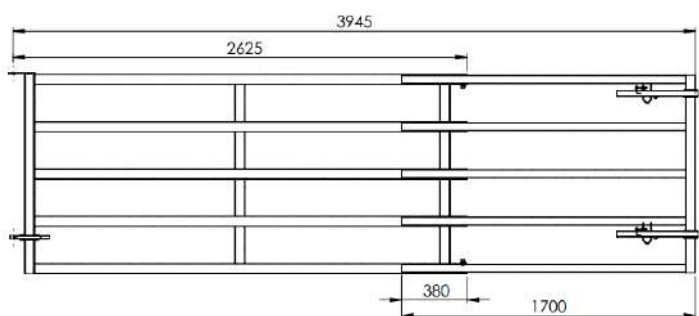


Sin extender



60 MM DIAMETER BARS

F0500056



Extendido

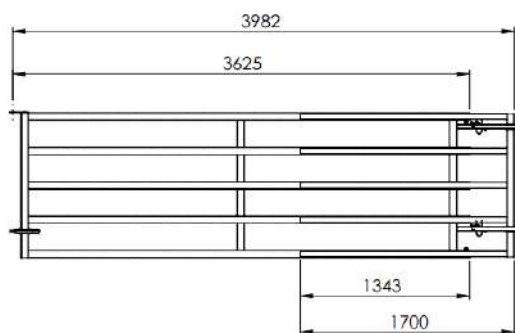
04. FENCES AND GATES

EXTENSIBLE PANEL GATE WITH 5 BARS OF 5 METERS

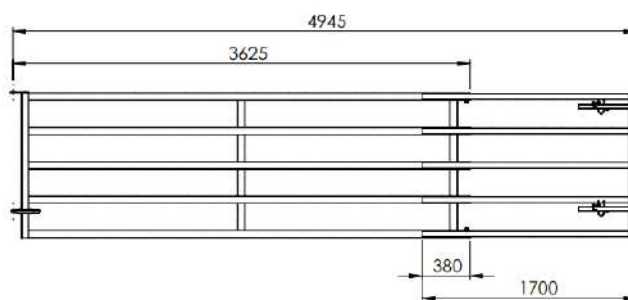


F0500057

60 MM DIAMETER BARS



Sin extender



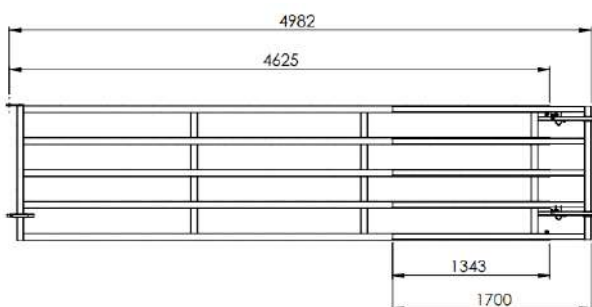
Extendido

EXTENSIBLE PANEL GATE WITH 5 BARS OF 6 METERS

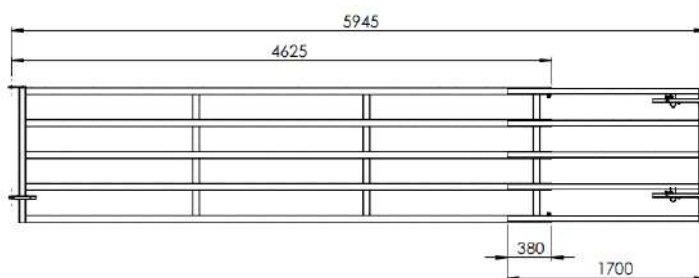


F0500058

60 MM DIAMETER BARS



Sin extender



Extendido

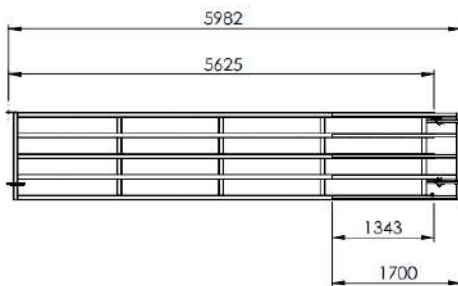
04. FENCES AND GATES

EXTENSIBLE PANEL GATE WITH 5 BARS OF 7 METERS

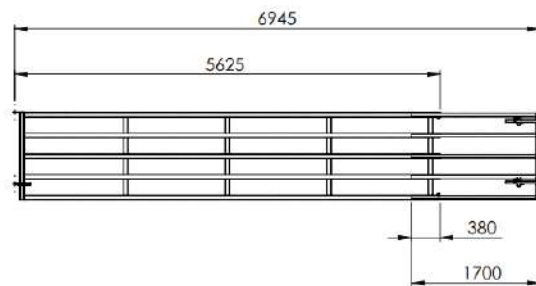
60 MM DIAMETER BARS



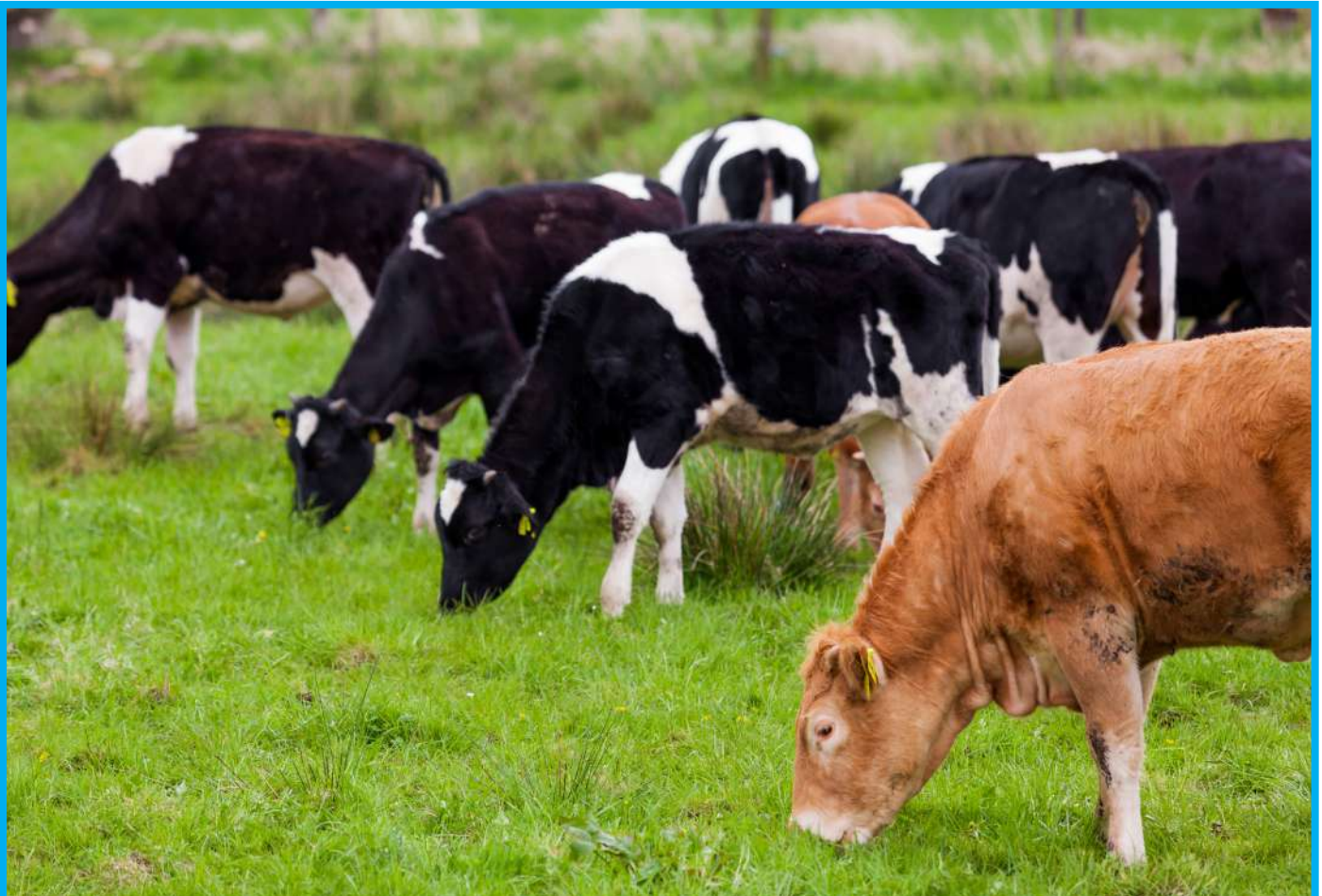
F0500059



Sin extender

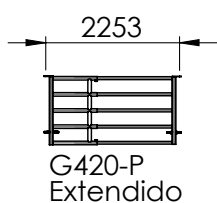
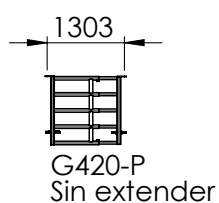


Extendido

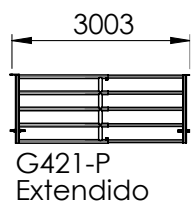
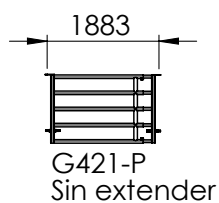


04. FENCES AND GATES

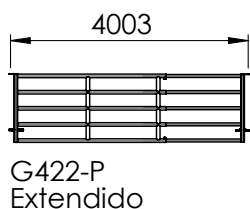
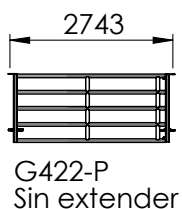
EXTENSIBLE PANELS FAMILY 5 BARS OF 60 MM DIAMETER



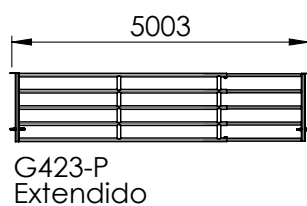
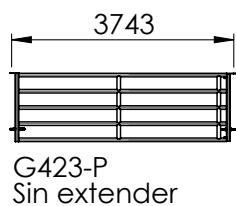
F0500061



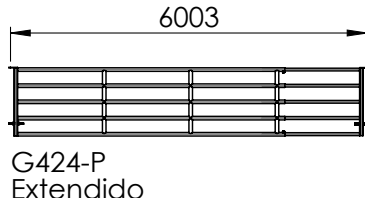
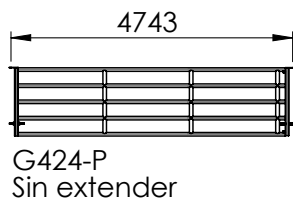
F0500062



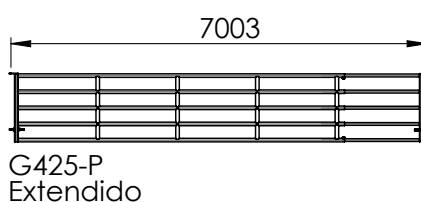
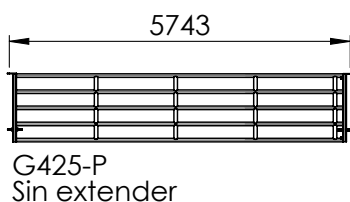
F0500063



F0500064



F0500065



F0500066

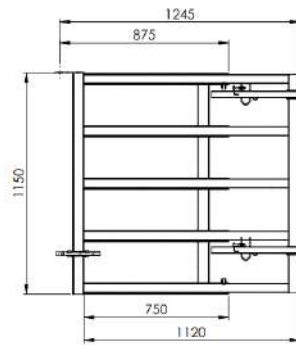
04. FENCES AND GATES

EXTENSIBLE PANEL WITH 5 BARS OF 2 METERS

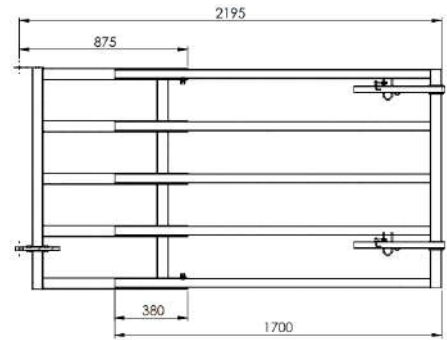


F0500061

60 MM OF DIAMETER TUBES



Sin extender



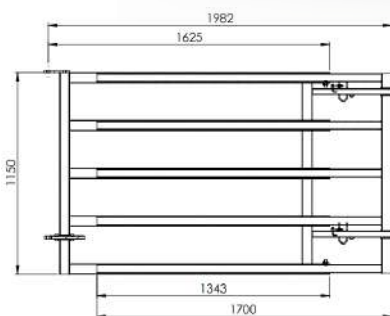
Extendido

EXTENSIBLE PANEL WITH 5 BARS OF 3 METERS

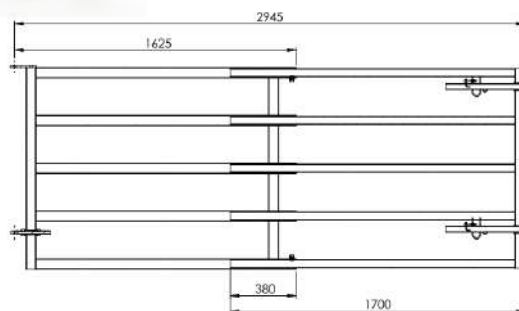


60 MM DIAMETER TUBES

F0500062



Sin extender



Extendido

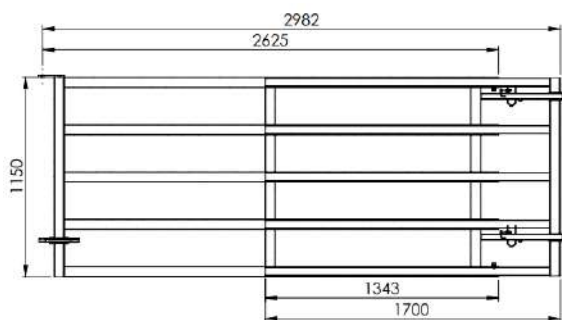
04. FENCES AND GATES

EXTENSIBLE PANEL WITH 5 BARS OF 4 METERS

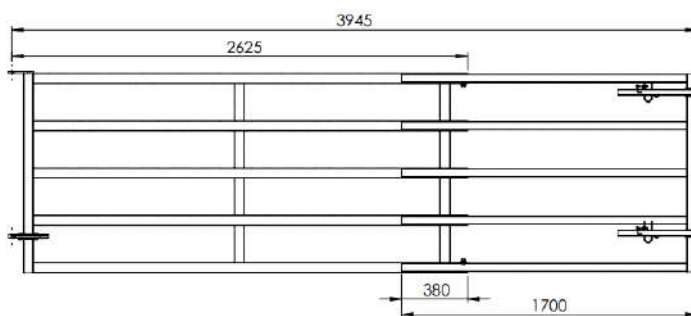


60 MM DIAMETER TUBES

F0500063



Sin extender



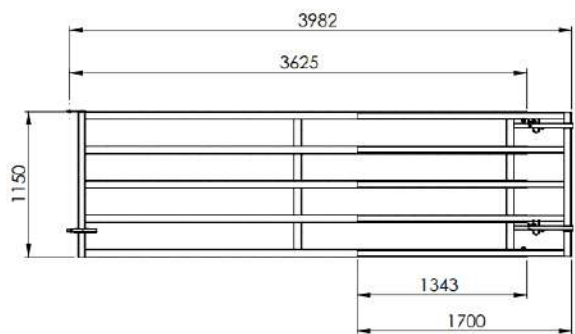
Extendido

EXTENSIBLE PANEL WITH 5 BARS OF 5 METERS

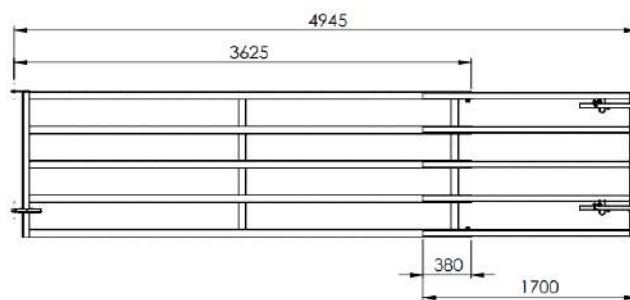


60 MM DIAMETER TUBES

F0500064



Sin extender



Extendido

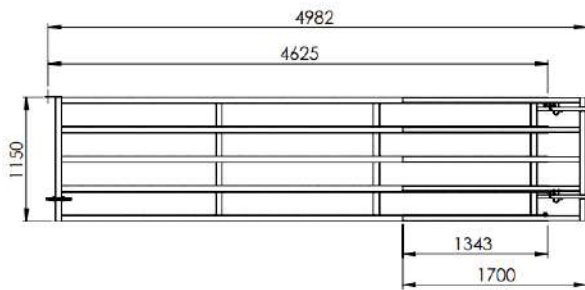
04. FENCES AND GATES

EXTENSIBLE PANEL WITH 5 BARS OF 6 METERS

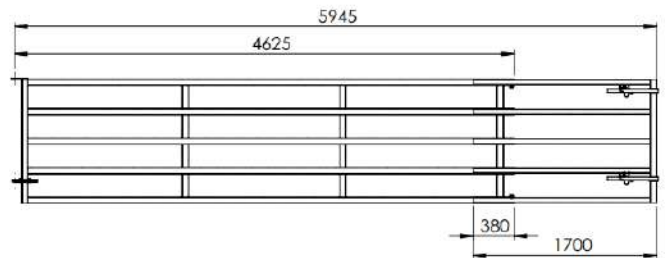


60 MM DIAMETER TUBES

F0500065



Sin extender



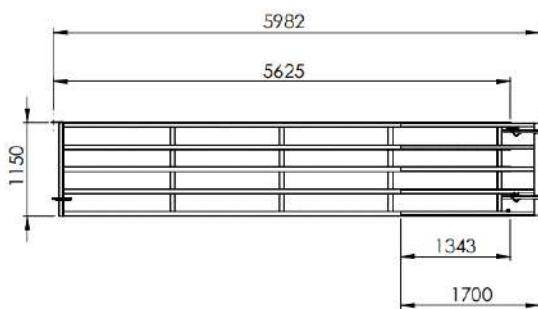
Extendido

EXTENSIBLE PANEL WITH 5 BARS OF 7 METERS

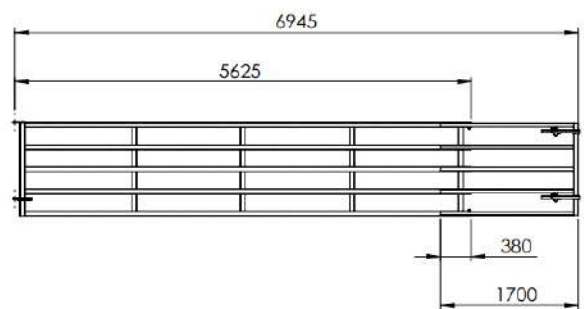


60 MM DIAMETER TUBES

F0500066



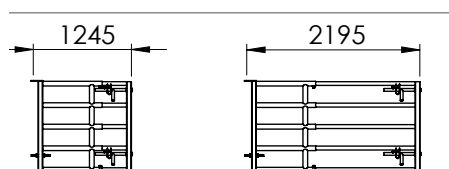
Sin extender



Extendido

04. FENCES AND GATES

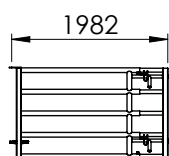
EXTENSIBLE GATES FAMILY 5 BARS OF 50 MM DIAMETER



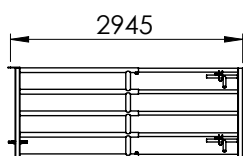
Sin extender

Extendido

F0500074

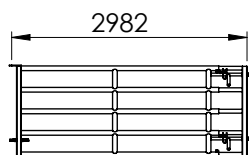


Sin extender

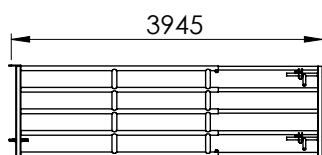


Extendido

F0500075

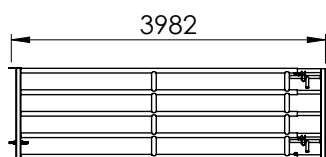


Sin extender

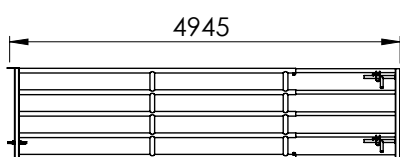


Extendido

F0500076

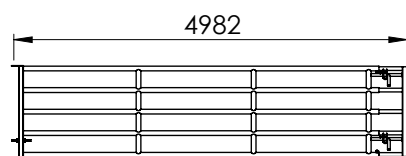


Sin extender

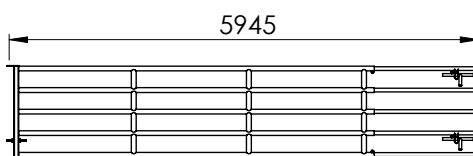


Extendido

F0500077



Sin extender



Extendido

F0500078

04. FENCES AND GATES

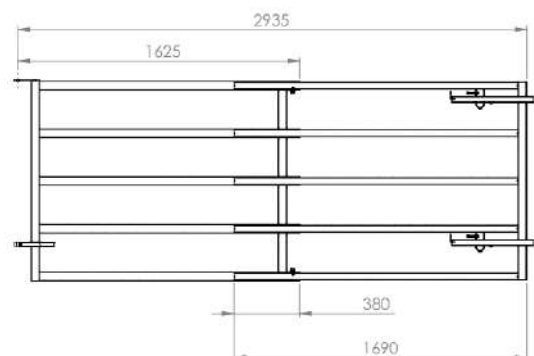
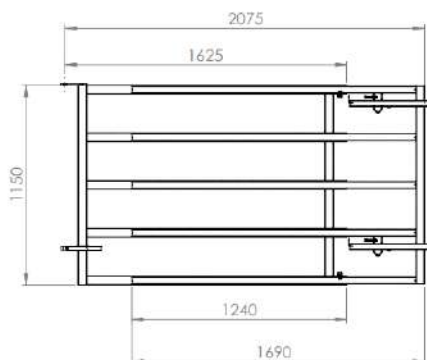


2 METERS EXTENSIBLE GATE FOR FENCES



50 MM DIAMETER TUBES

F0500074



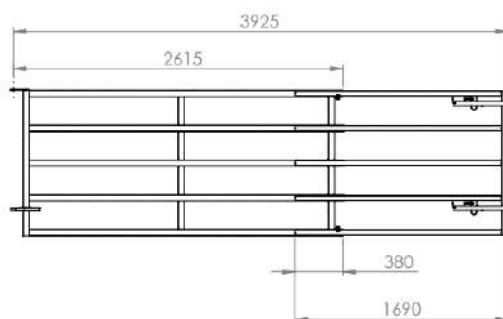
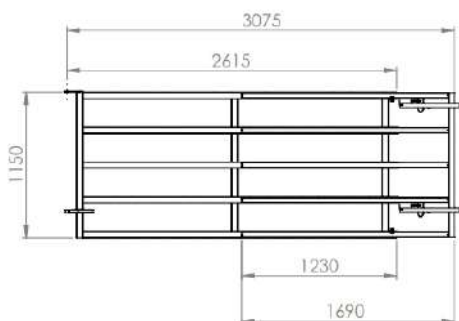
04. FENCES AND GATES

3 METERS EXTENSIBLE GATE FOR FENCES



50 MM DIAMETER TUBES

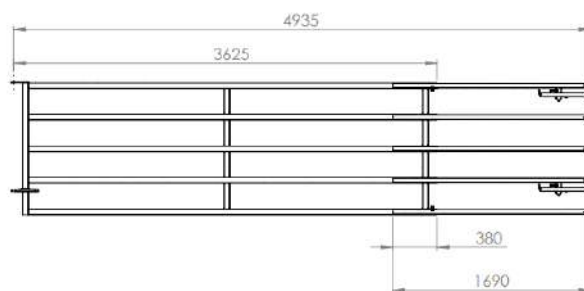
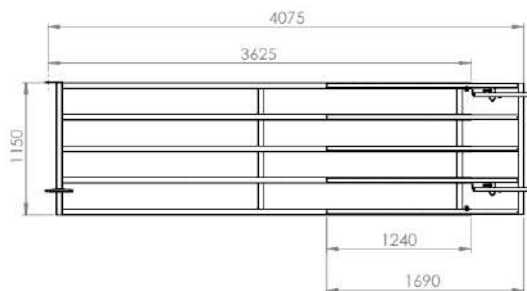
F0500075



4 METERS EXTENSIBLE GATE FOR FENCES



50 MM DIAMETER TUBES



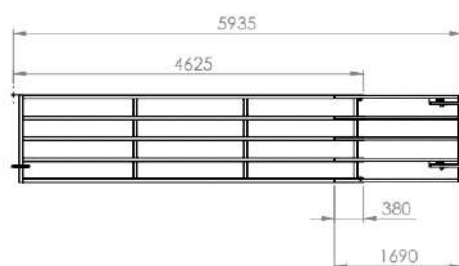
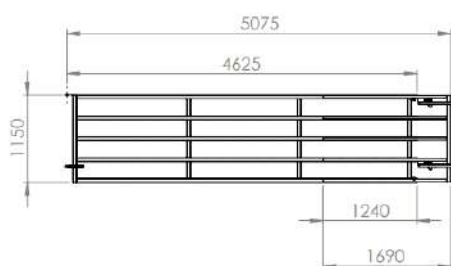
F0500076

04. FENCES AND GATES

5 METERS EXTENSIBLE GATE FOR FENCES



50 MM DIAMETER TUBES

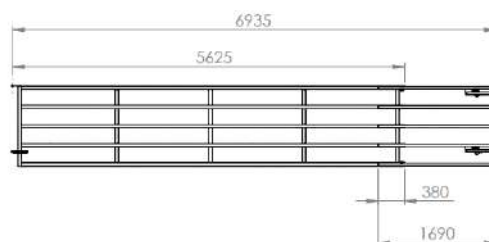
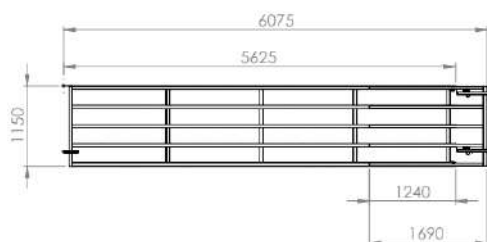


F0500077

6 METERS EXTENSIBLE GATE FOR FENCES



50 MM DIAMETER TUBES



F0500078

05. CATTLE GRIDS

CATTLE GRID

This product has a system so that, in case a cow or calf gets the leg into the pit, it could take it out without problem, since the tubes are loose.

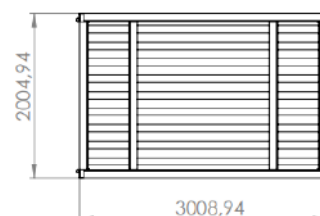
F0500013

4 METERS



F0500012

3 METERS



06. CHUTES

HEAD GATE

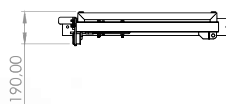
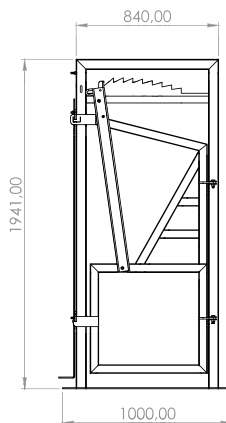
Hot dip galvanized.

Allows an easy mooring of the animal.

It is coupled to the chute F0500068-73. The work is always done from the side. Avoiding any damage to people and animals.

The animal is pulling on a rope.

The animal is trapped by pulling on a rope.



F0500113

1000 MM / 190 MM / 1941 MM

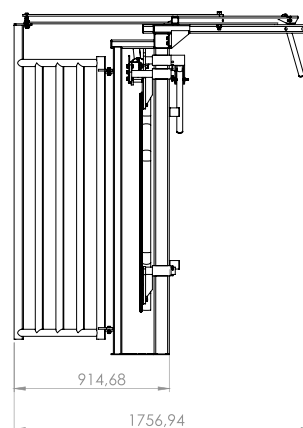
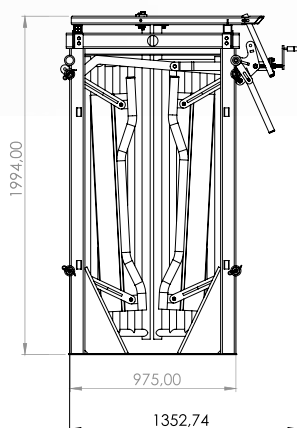


ADJUSTABLE HEAD GATE

Hot dip galvanized. Allows an easy mooring of the animal. Avoiding damage to people and animals. Attaches to the chute F0500068-73. As it is adjustable, it allows to treat animals of different sizes.

F0500114

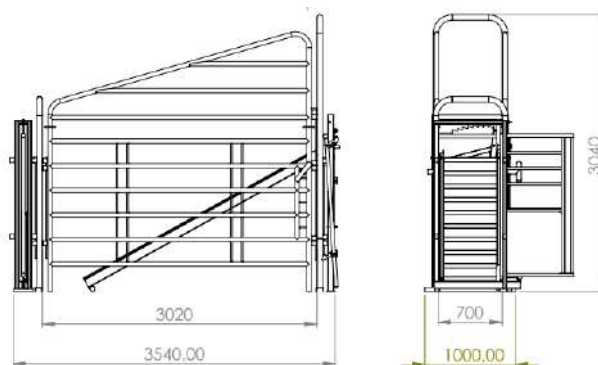
1352 MM / 1757 MM / 1994 MM



06. CHUTES

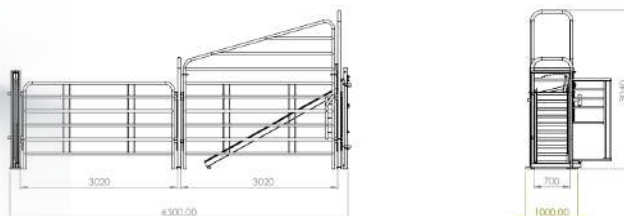
3 METERS BOVINE CHUTE WITH LOADER

F0500068



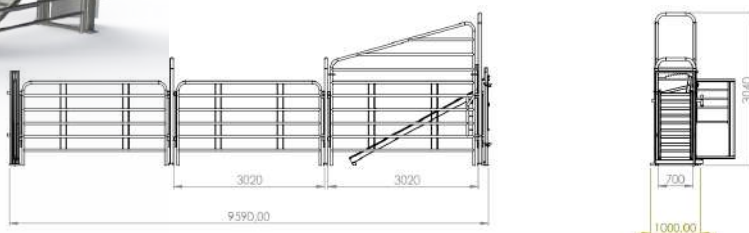
6 METERS BOVINE CHUTE WITH LOADER

F0500069



9 METERS BOVINE CHUTE WITH LOADER

F0500070

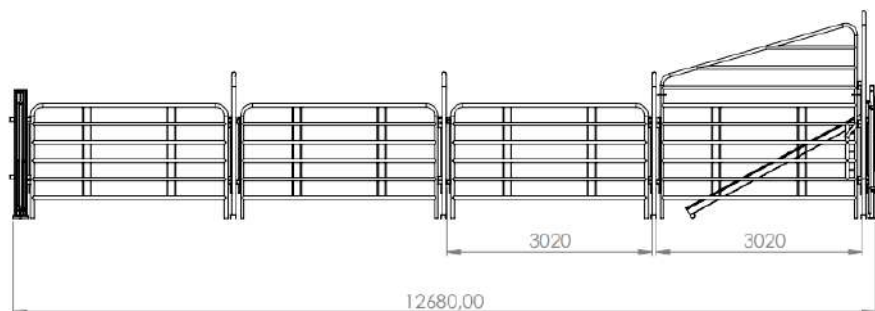


06. CHUTES

12 METERS BOVINE CHUTE WITH LOADER



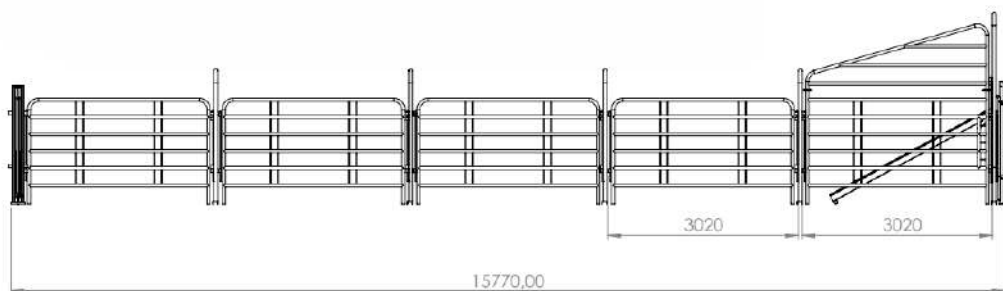
F0500071



15 METERS BOVINE CHUTE WITH LOADER



F0500072



07. CALF BOXES AND CUBICLES

CALF HUTCHES

This shelter comes in two presentations, pre-painted in green and in galvanized sheet metal. The rear window is hinged to improve ventilation.

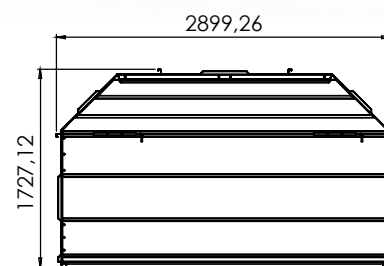
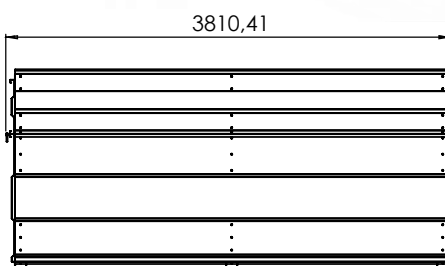
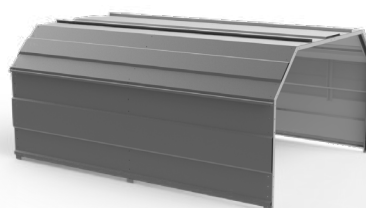
F0500091

GREEN PRE-PAINTED WITHOUT FENCE



F0500094

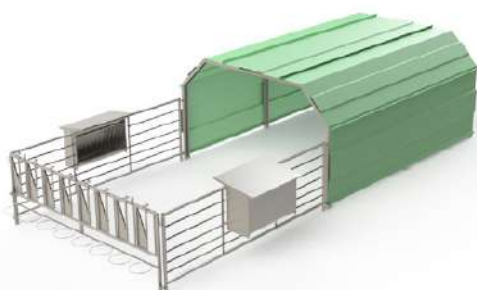
GALVANIZED SHEET WITHOUT FENCE



It includes 8 tie-downs in the front part, as well as supports for buckets that can be placed above or below the tie-downs at the farmer's request, straw hopper F0500034 and feed hopper F0500033. Prepared for easy transport.

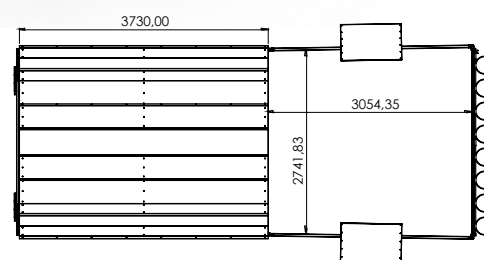
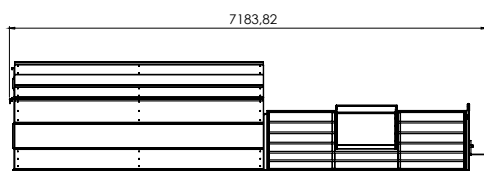
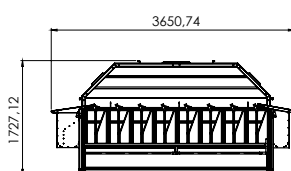
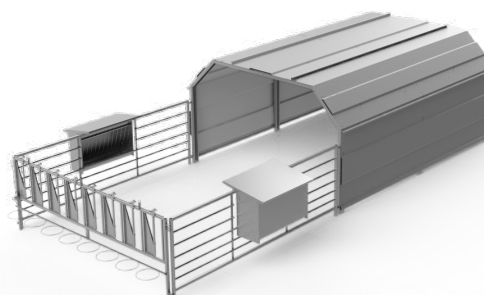
F0500090

GREEN PRE-PAINTED WITH FENCE

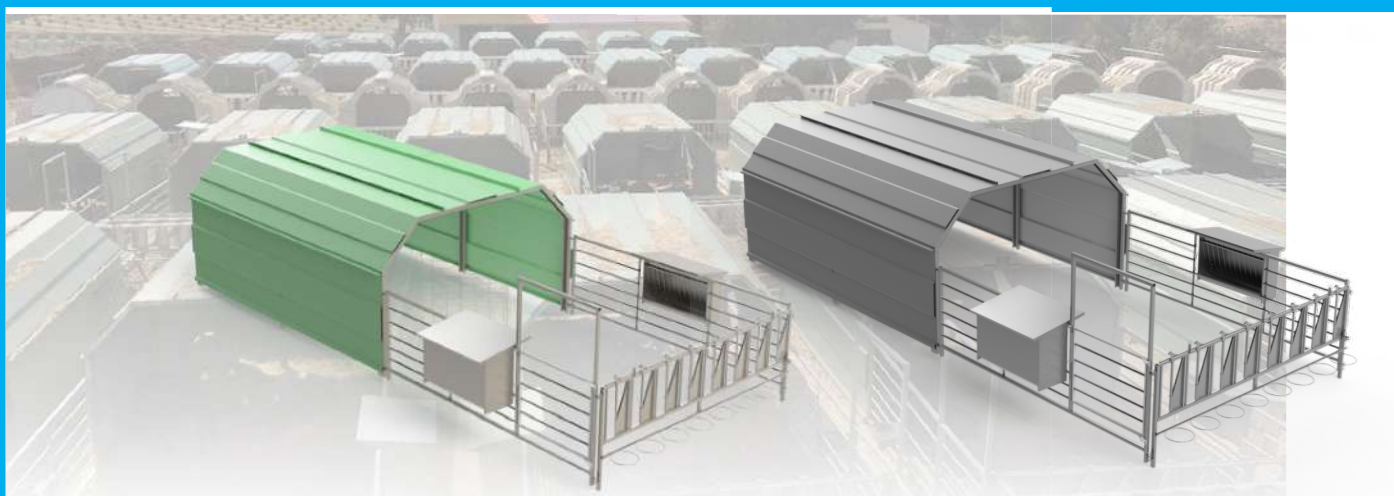


F0500093

GALVANIZED SHEET WITH FENCE



07. CALF BOXES AND CUBICLES

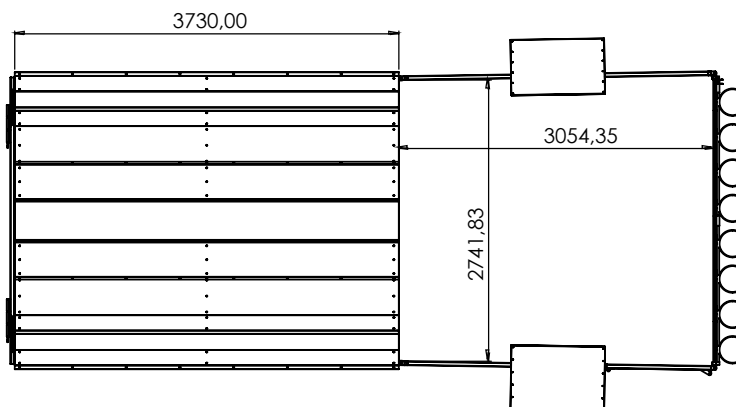
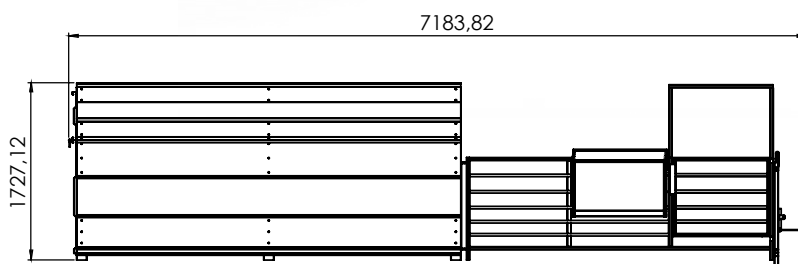
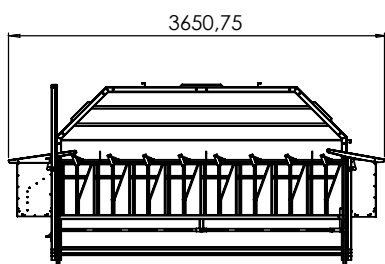


CALF HUTCH WITH FENCE AND SIDE DOOR

Includes side door for easy entry into the box. Prepared for easy transport.

F0500092
GREEN PRE-PAINTED

F0500095
GALVANIZED SHEET

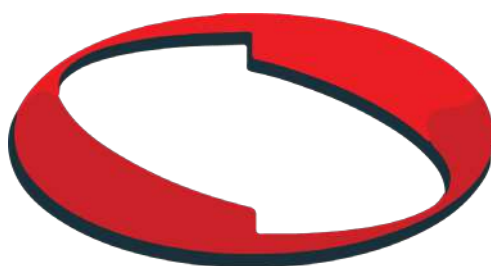


07. CALF BOXES AND CUBICLES





THE ART OF MANUFACTURING



Ormi Group

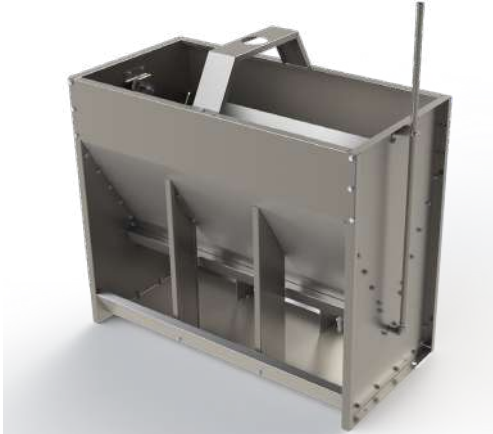
01. HOPPERS

02. BOXES

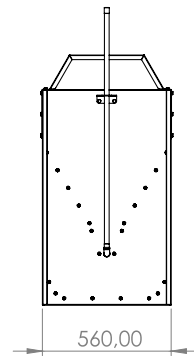
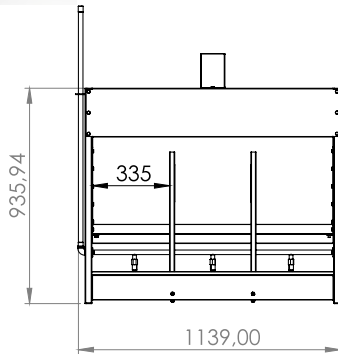
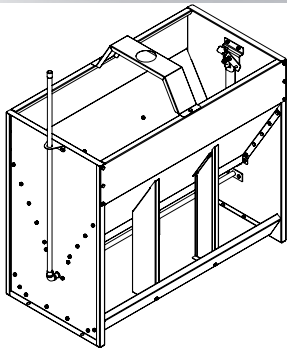
01. HOPPERS

PIG HOPPER

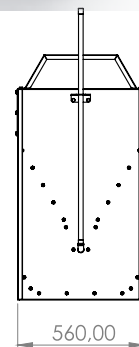
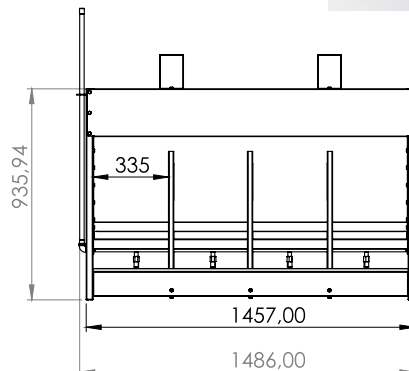
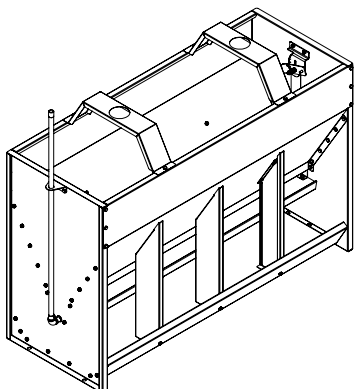
Hopper for pigs with 6 and 8 openings on 2 sides. It has a regulation tray system for dry feed, a system for water by nipples and a lower tray for wet feed.



F0400001
6 OPENINGS



F0400002
8 OPENINGS



01. HOPPERS

PIG HOPPER

Hot dip galvanized hopper for pigs.



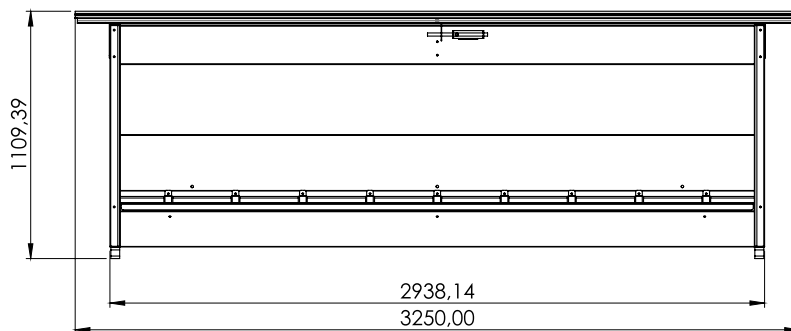
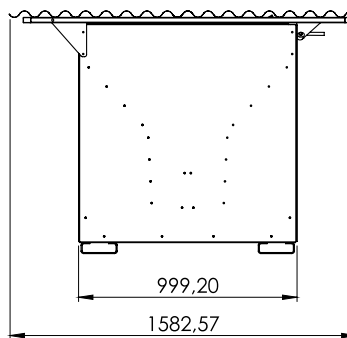
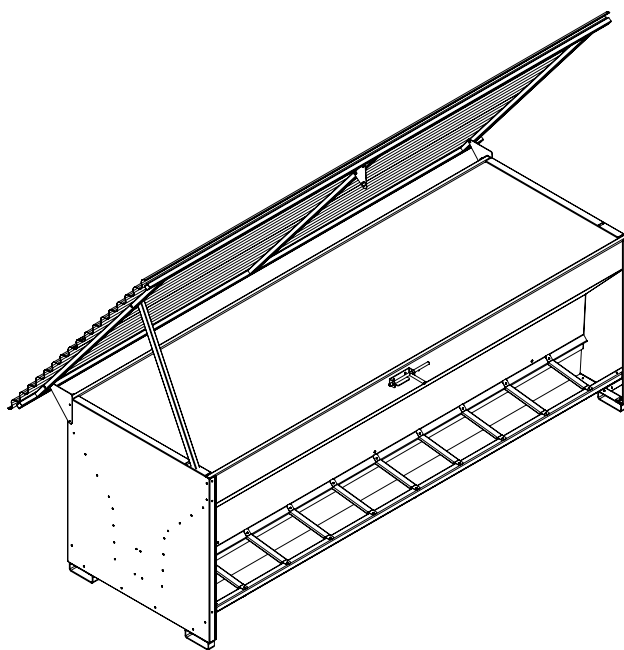
F0400005
2 METERS/750 KG



F0400006
2,5 METERS/970 KG



F0400007
3 METERS/1150 KG



02. BOXES

PIG BOX

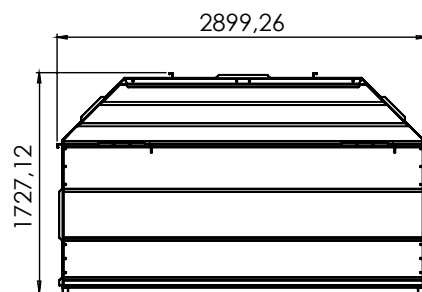
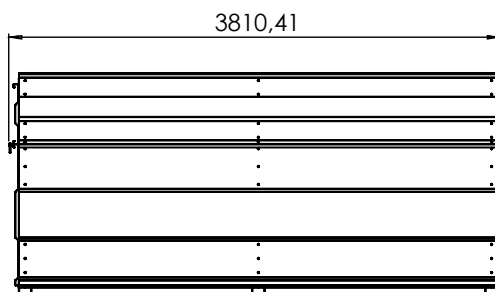
This shelter comes in two presentations, pre-painted in green and in galvanized sheet metal. The rear window is hinged to improve ventilation.

F0500091

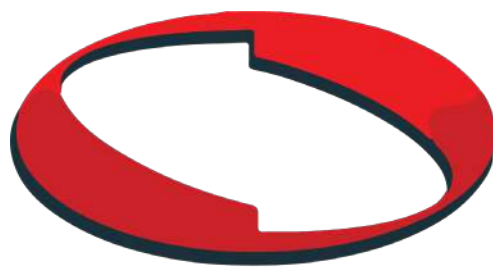
GREEN PRE-PAINTED

F0500094

GALVANIZED SHEET



THE ART OF MANUFACTURING



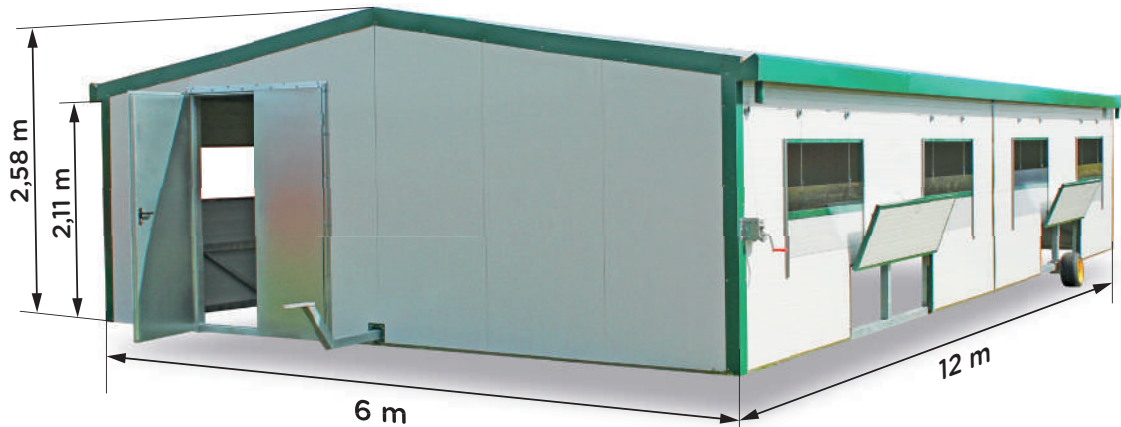
Ormi Group

01. MOBILE FARMYARD

02. EXTERIOR HOPPER

03. CATALOGUE ORMITAL

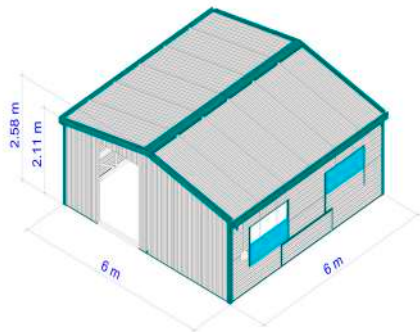
01. MOBILE FARMYARD



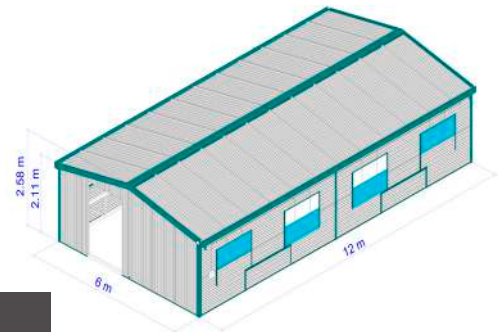
The mobile corral is manufactured in a 100% hot-dipped galvanized structure covered with 35 mm thick sandwich panel. The internal structure is reinforced with all the tie rods welded to give greater robustness to the product. Available in three standardized sizes adapting to the customer's needs and requirements. It is delivered semi disassembled and is assembled by screwing, so its durability is much higher than normal.

Our displacement kit is universal for all corrals.
Maximum displacement speed is 4 km/h.

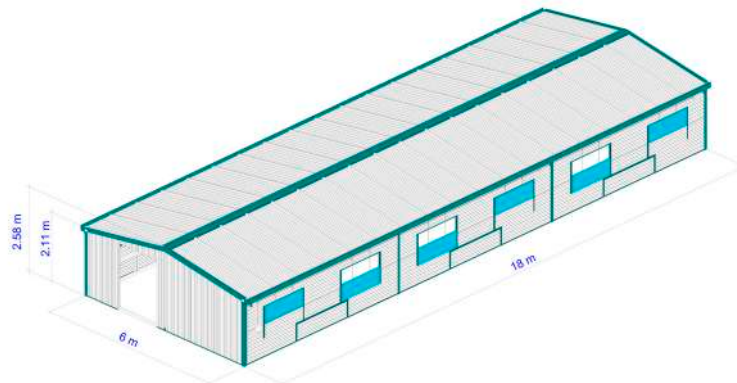
FO200087
6X6 METERS / 2000 KG



FO200088
12X6 METERS / 3195 KG



FO200089
18X6 METERS / 4552 KG



01. MOBILE FARMYARD



Sandwich Panel 35 mm



European Conformity Certificate



4 Maximum travel speed
km/h

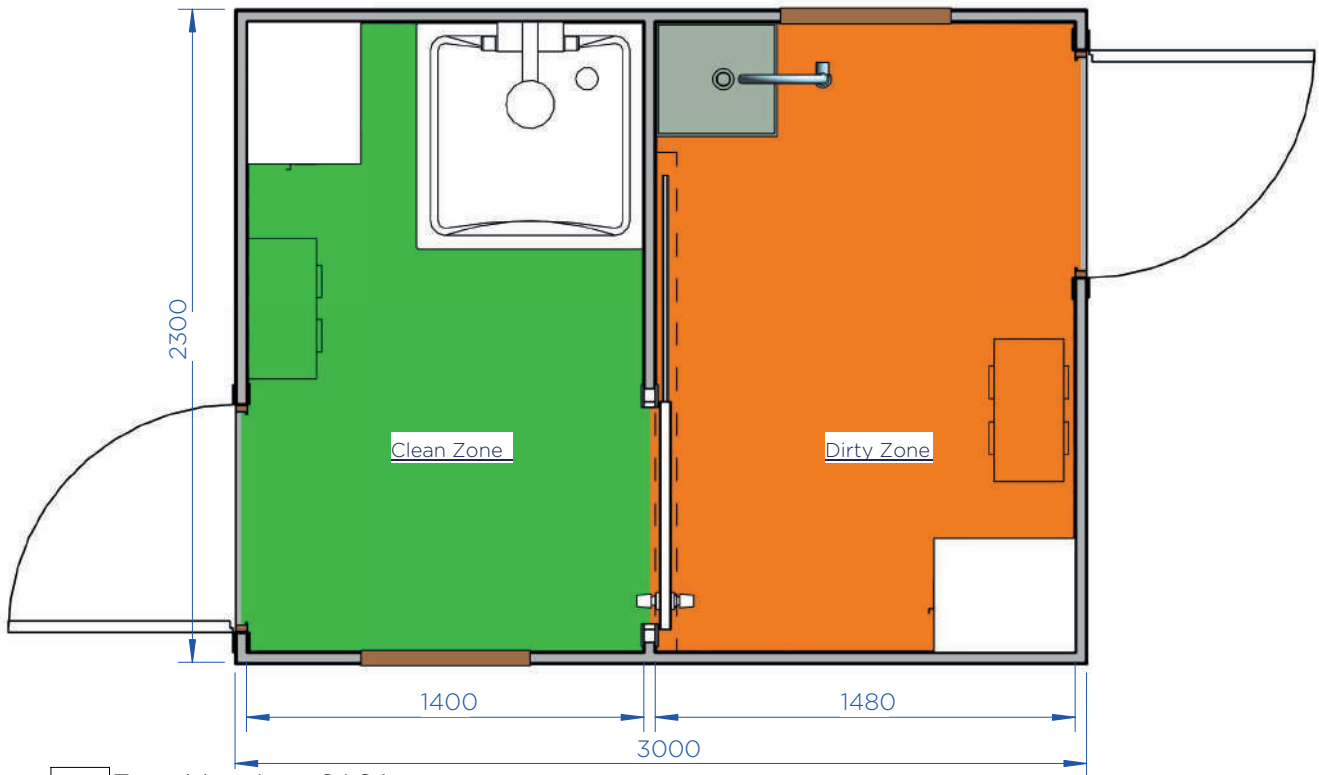


Wheel detail

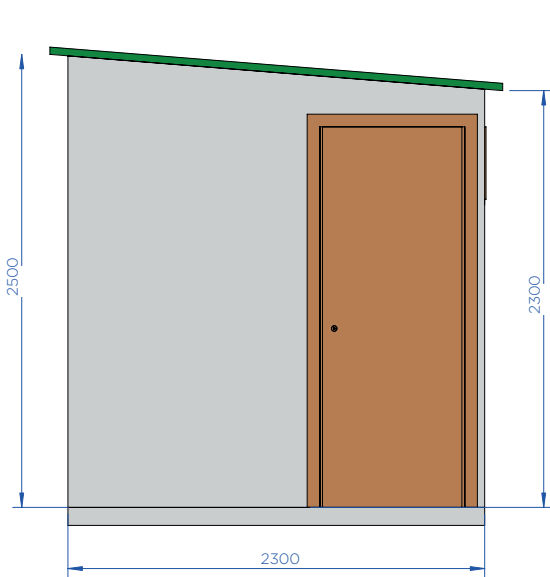


01. MOBILE FARMYARD

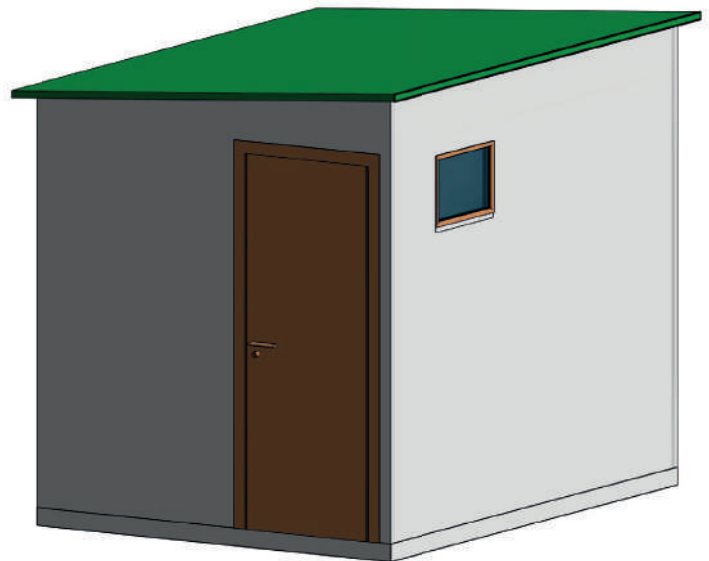
TRANSITION AREA 1 3 X 2,3 METERS



1 Transition Area SAS1
1 1:25



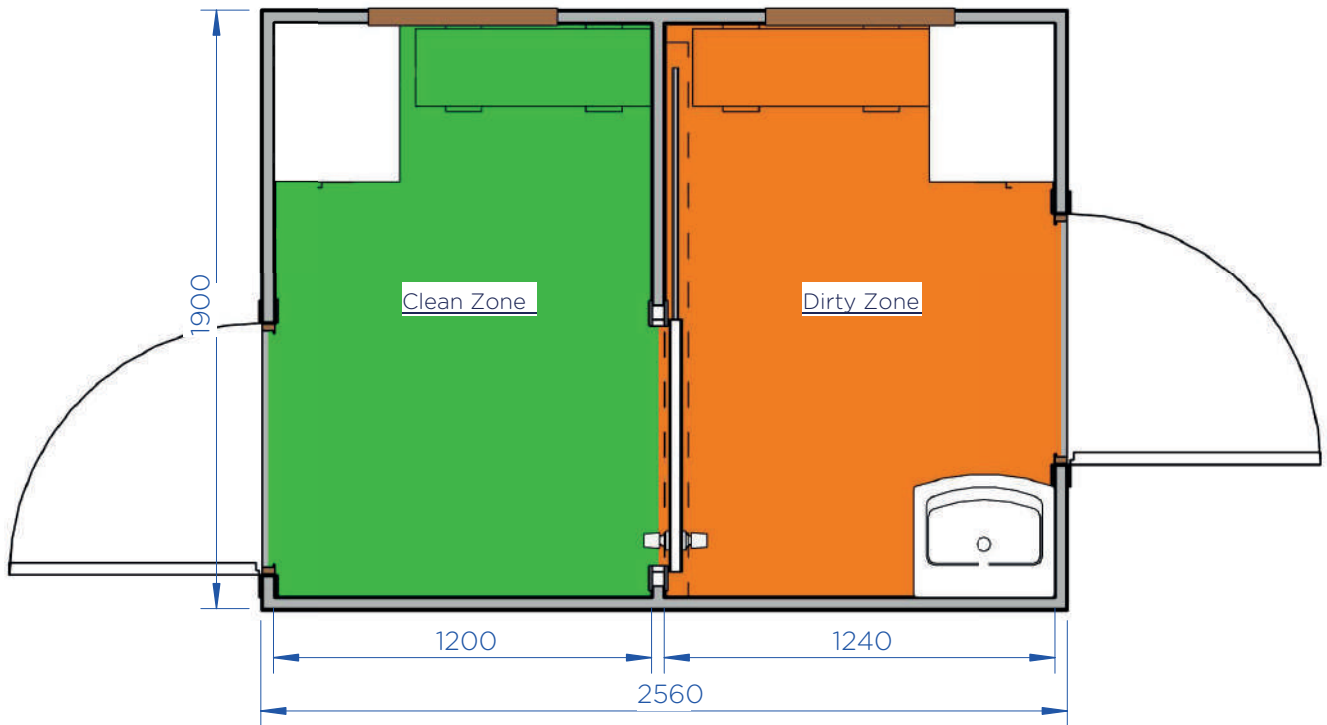
2 Frontal entrance SAS 1
1 1:25



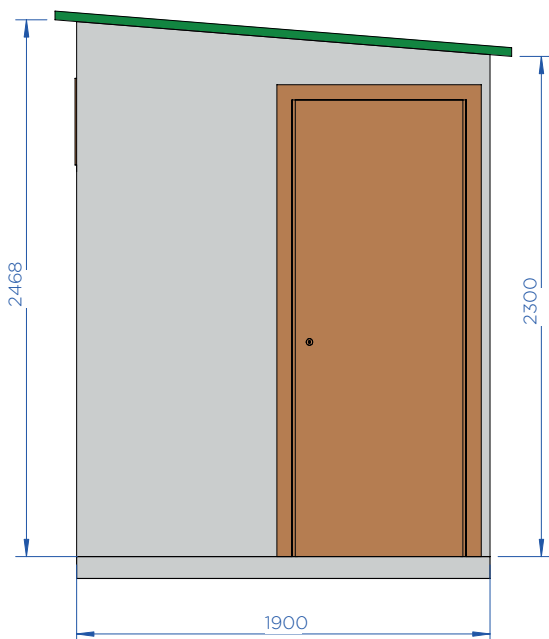
3 3D - SAS 1
1

01. MOBILE FARMYARD

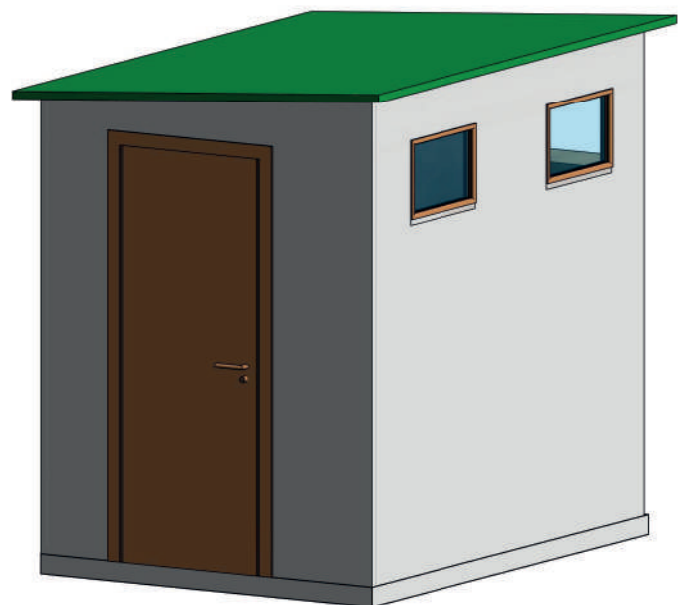
TRANSITION AREA 2 2,56 X 1,9 METERS



1	Transition Area SAS 2
2	1:25



2	Frontal entrance SAS 2
2	1:25



3	3D - SAS 2
2	

01. MOBILE FARMYARD

TECHNICAL CHARACTERISTICS FOR TRAILED AND SUSPENDED AGRICULTURAL MACHINES CERTIFICATE. PERIODIC TECHNICAL INSPECTIONS

Brand	ORMITAL	ORMITAL	ORMITAL	ORMITAL
Model/ Trade name	1 Story/ Farmyard 6*6	1 Story/ Farmyard 12*6	1 Story/ Farmyard 18*6	1 Story fixed/ Farmyard 18*8,4
Machine type (standard UNE 68051)	5420	5420	5420	5420
Chassis number	VV912060L20270002	VV912060L20270001	VV912060L20270003	VV912060L20270004
Origin (indicate as appropriate)	** UE Imported	** UE Imported	** UE Imported	** UE Imported

TECHNICAL SPECIFICATIONS

Coupling: Trailed/ Suspended (Indicate as appropriate)	Trailed	Trailed	Trailed	
Unladen and kerb mass (kg)	2.050	3.150	4.552	5.650
Maximum permissible laden mass (MMA) (kg)	3.500	3.500	6.000	6.500
Maximum deck load	175 kg/m ²	175 kg/m ²	175 kg/m ²	175 kg/m ²
Overall height (cm)	250	250	250	250
Overall width (cm)	600	600	600	840
Longitud total (cm)	600	1200	1800	1800

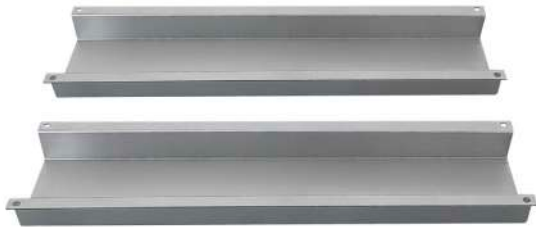
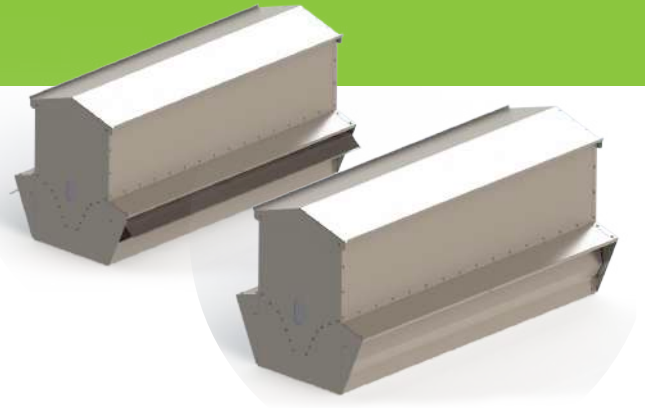
OTHER

ENCLOSURE	
Wheels	They have 2(6x6 m)- 4(6x12m) fixed or detachable wheels with ref. 195/55 10C lc-98
Windows	Formed by galvanized sheet metal frames and polycarbonate skylight.
Finish	Pre-painted sheet metal, 0.5 mm thick

02. EXTERIOR HOPPER

1

We have two versions, one of 250L and the other of 500L. Both hoppers have a hinged lid and entrances to the feeder on both sides, including the visor, to prevent water from entering the interior.



2

As an option, we offer the possibility of adding skids, thus facilitating mobility with the tractor.

3

The lid is hinged and can be opened to either side, depending on the needs.



4

It has a window on the side that indicates the hopper level at 30% of its capacity.



5

It has gates to close the access of birds to the hopper.

02. EXTERIOR HOPPER

The large capacity outer hopper is made of galvanized sheet metal.

F0200001

250 L



F0200002

500 L



F0200003

250 L / WITH SKIDS



F0200004

500 L / WITH SKIDS





INDEX



INCUBATORS



DRINKERS



FEEDERS



CHICKEN COOPS



LAYING NESTS



INDEX

MILLS



PLUCKERS



SMALL MAMMALS



TRAPS AND EXTERMINATORS



GARDEN





Ormi Group

THE ART OF MANUFACTURING